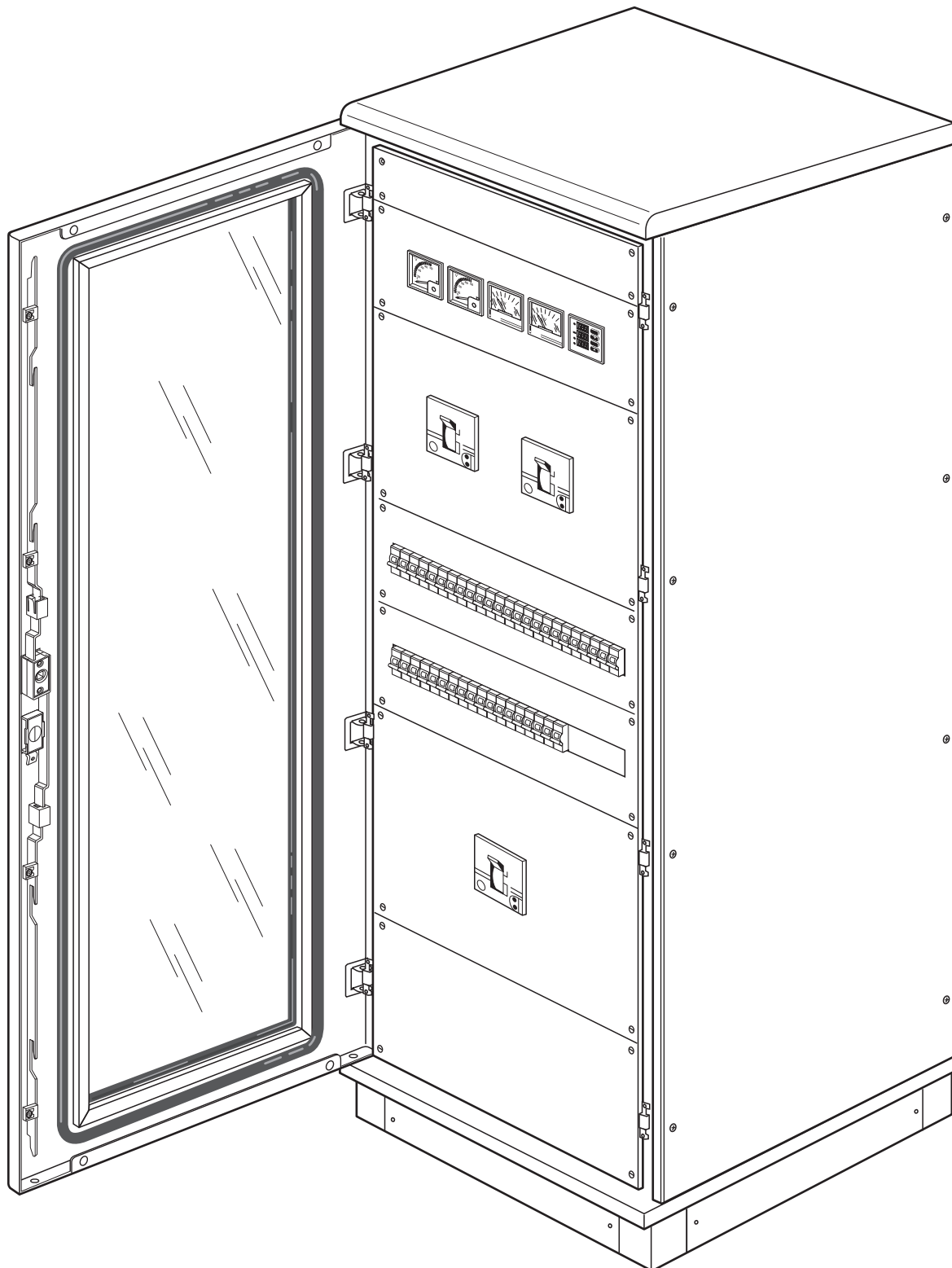
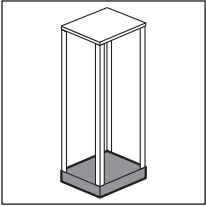
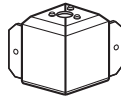


IP 65



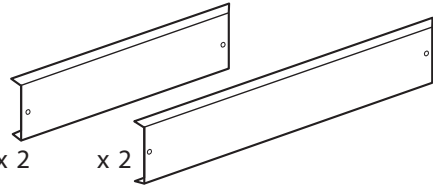
91811/33
91811/36
91811/38
91811/66
91811/68
91811/88



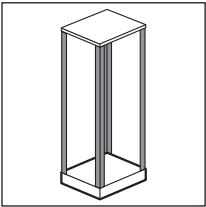
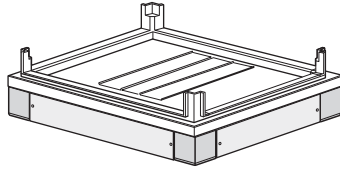
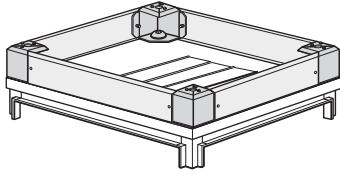
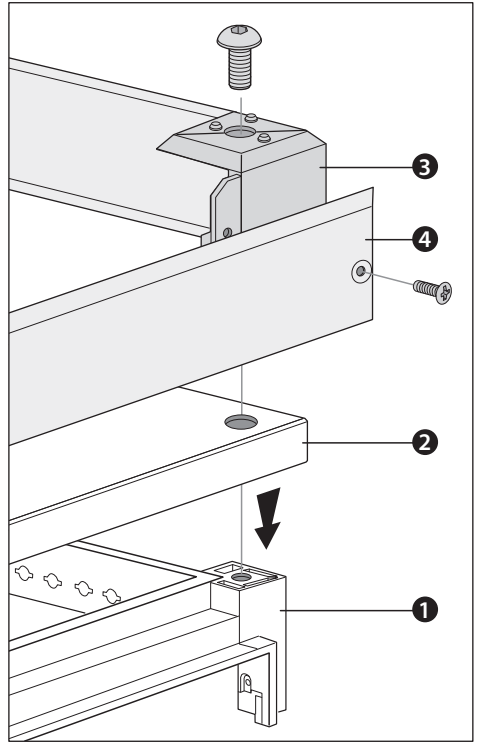
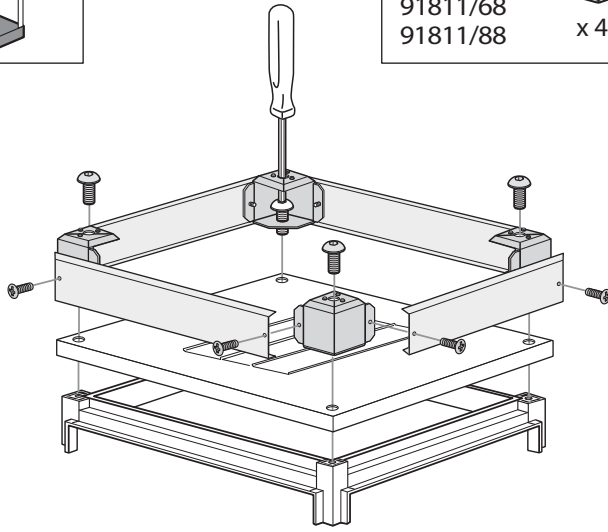
x 4

x 2

x 2

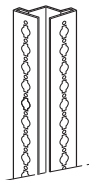


x 8

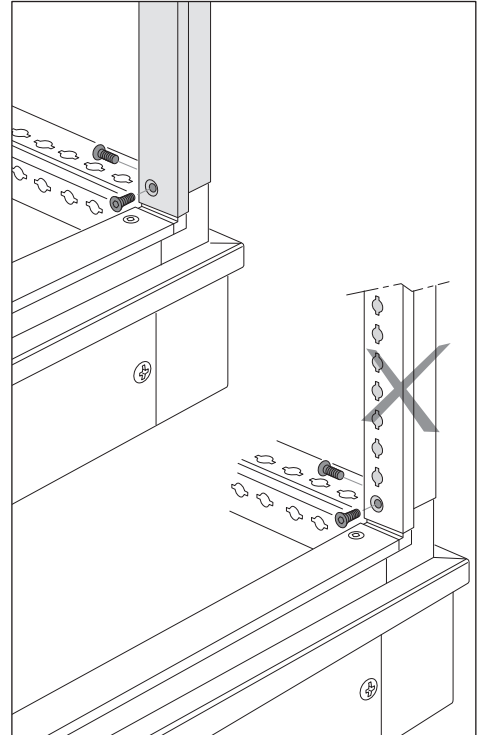
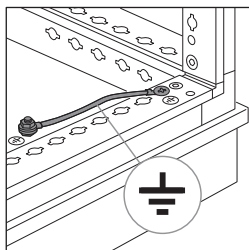
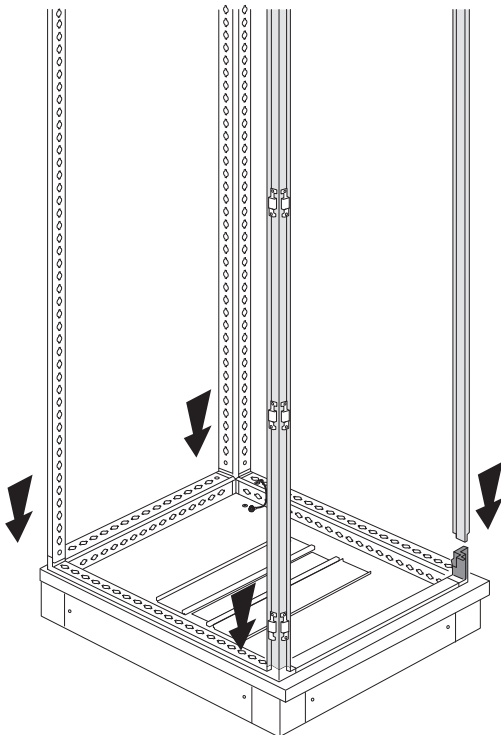
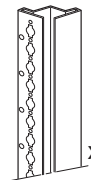


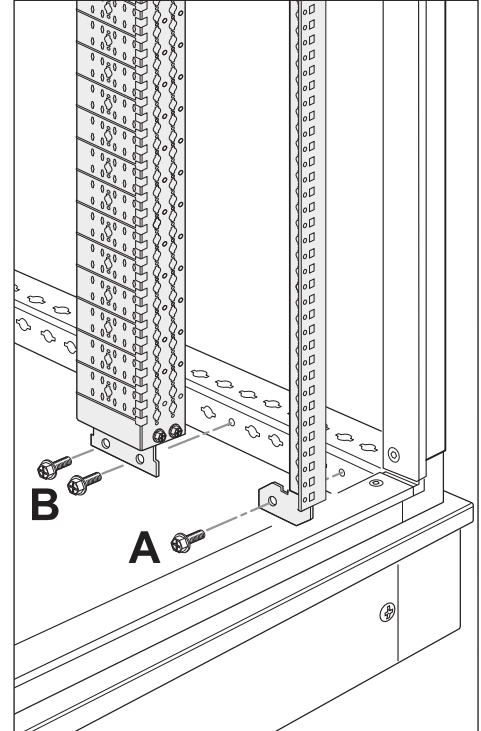
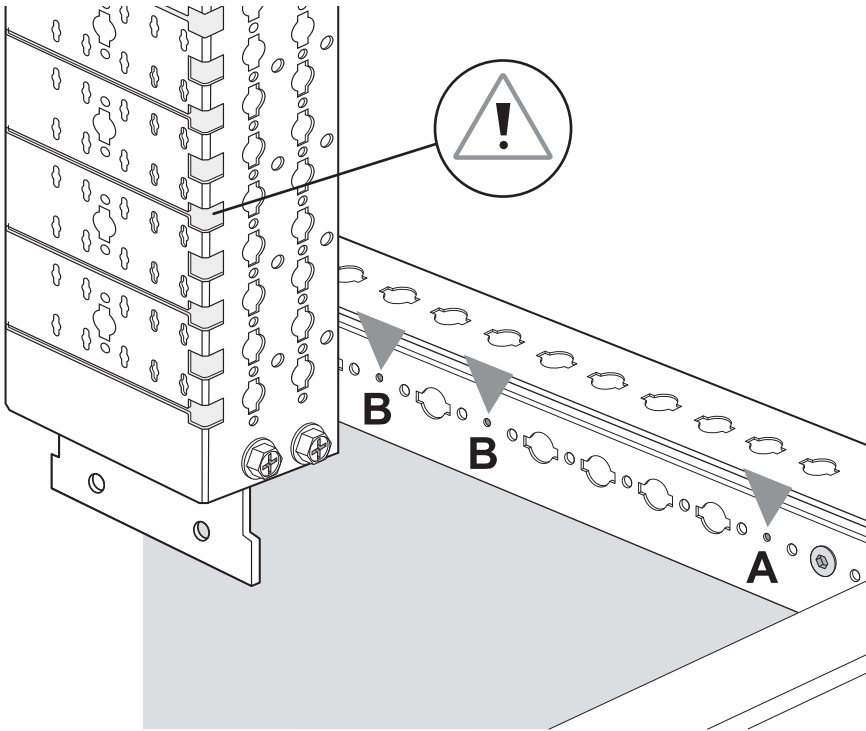
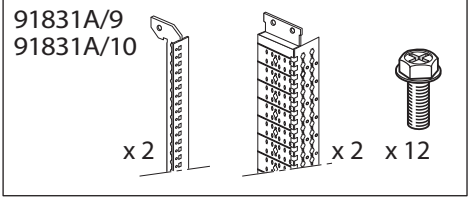
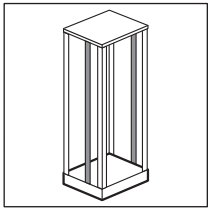
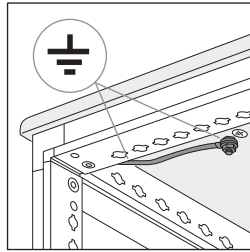
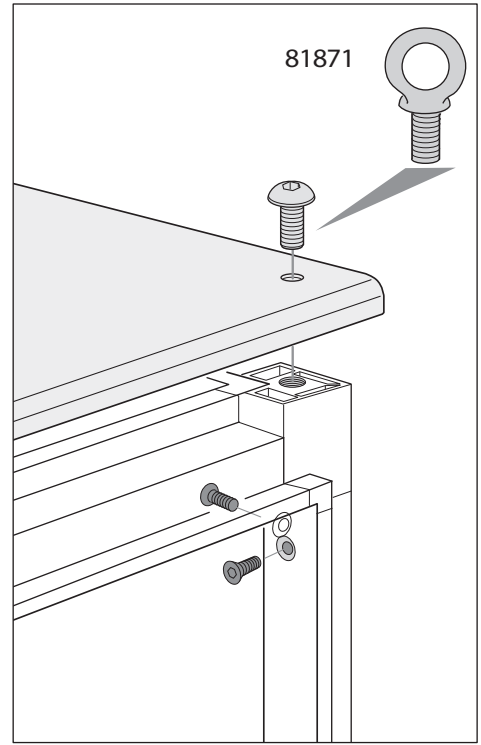
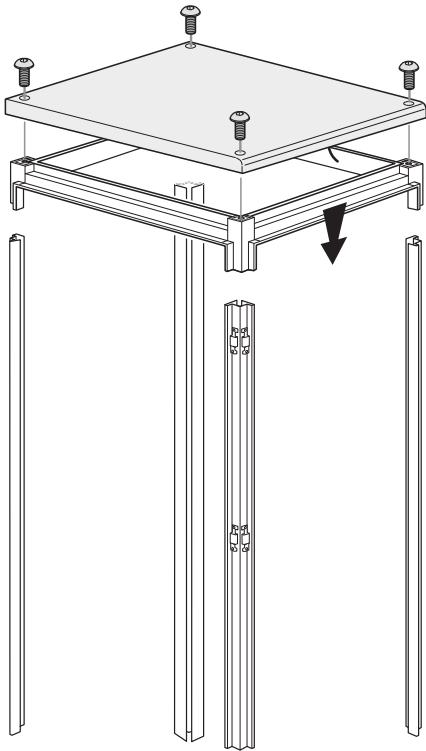
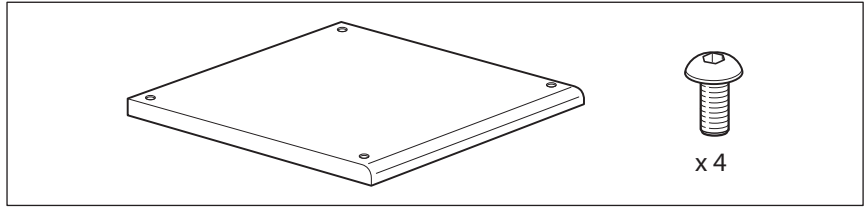
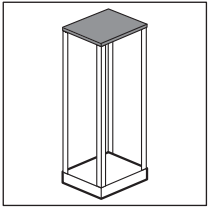
91821
91821/10

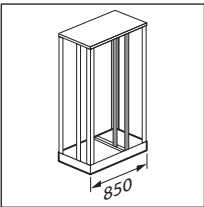
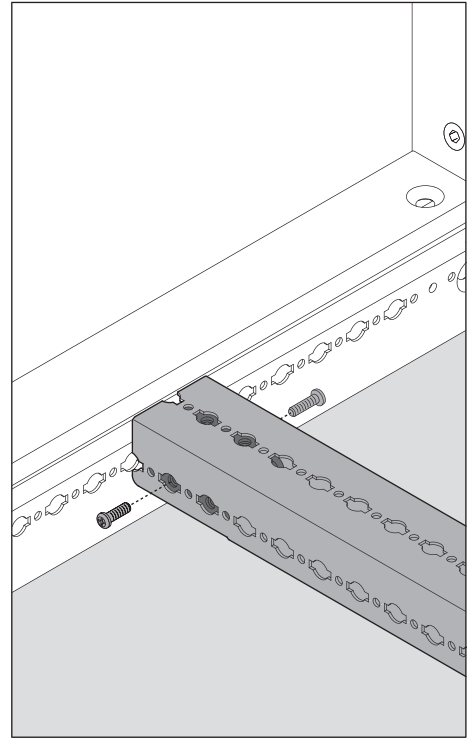
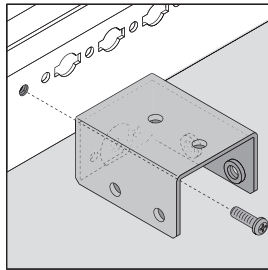
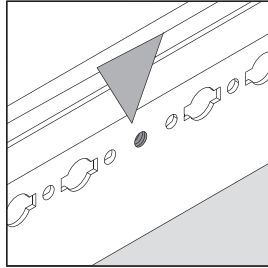
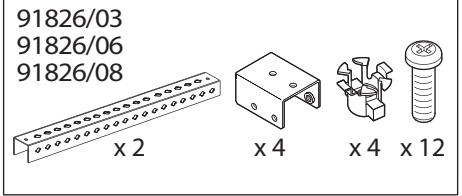
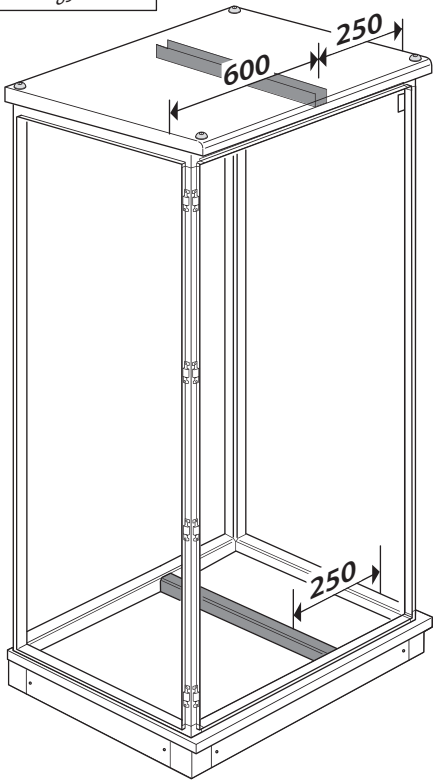
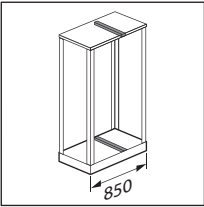
x 2



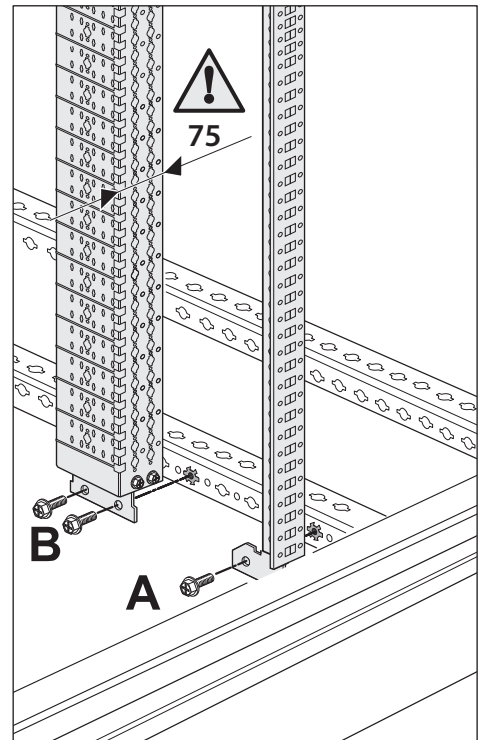
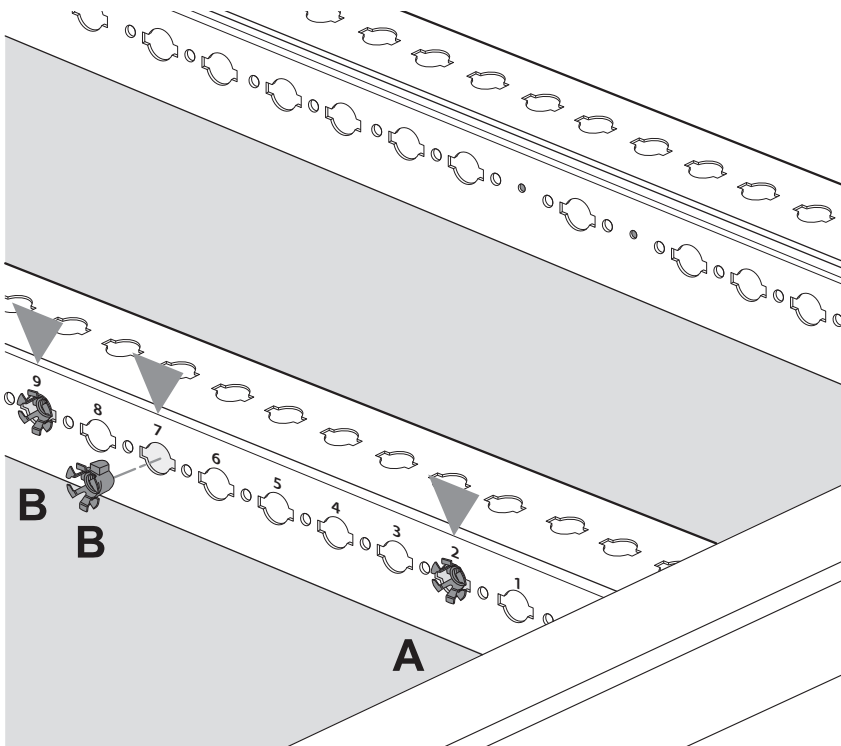
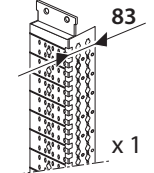
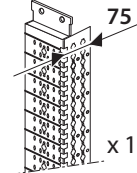
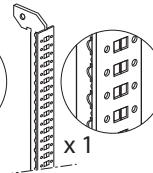
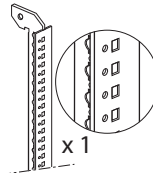
x 2

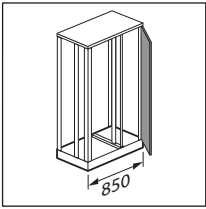






91831A/9VI
91831A/10VI





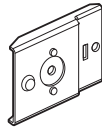
91861/20
91861/20/10



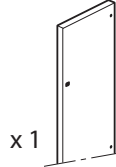
x 4



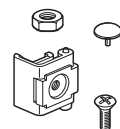
x 4



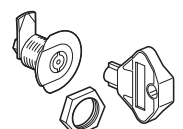
x 4



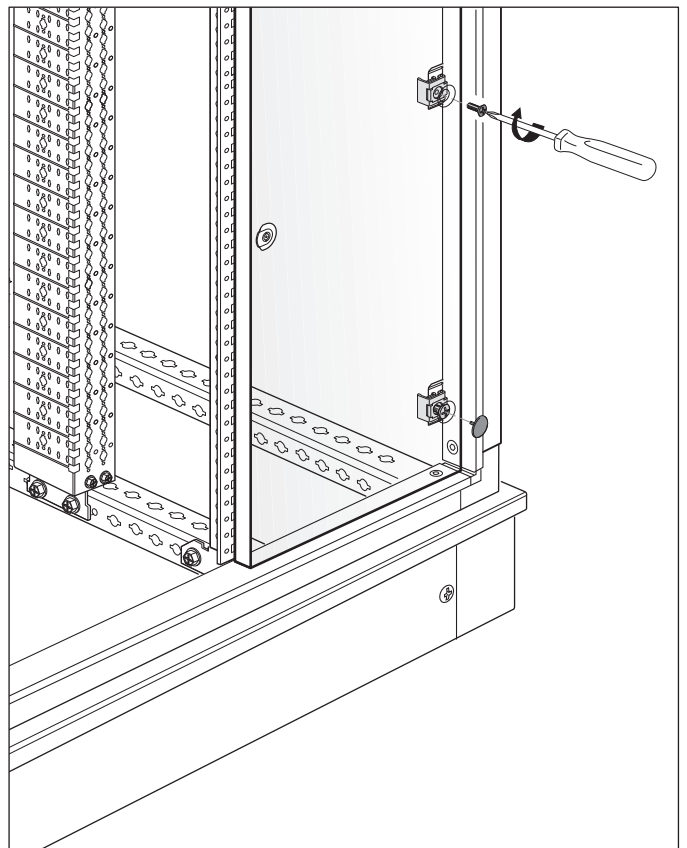
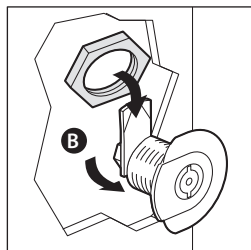
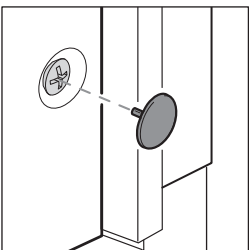
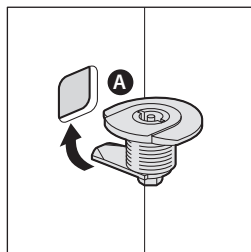
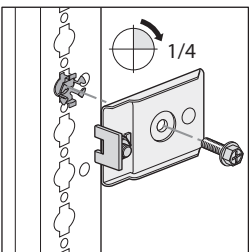
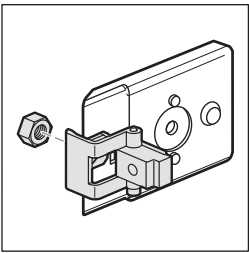
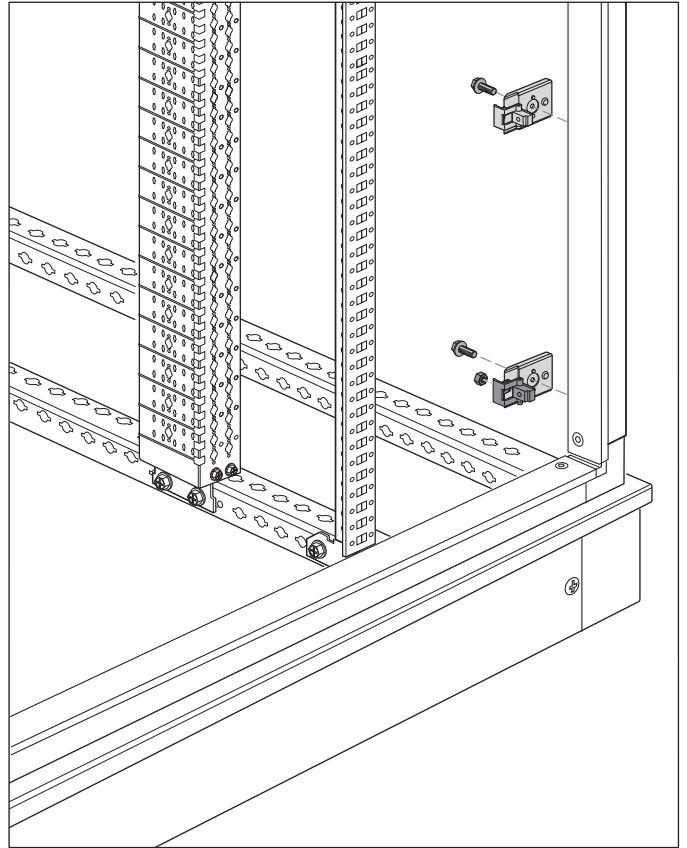
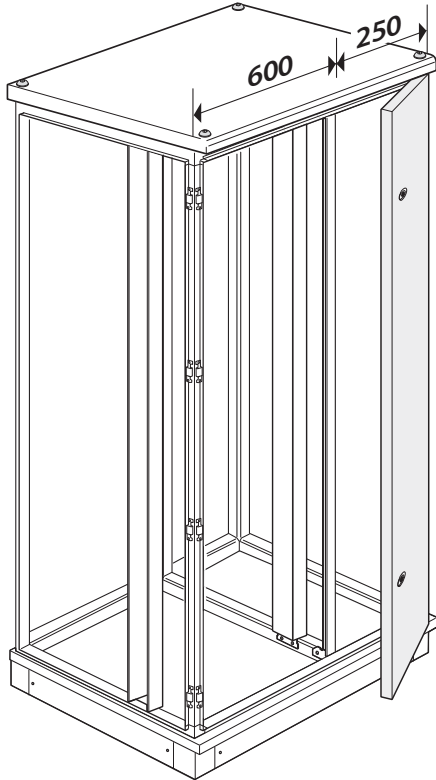
x 1

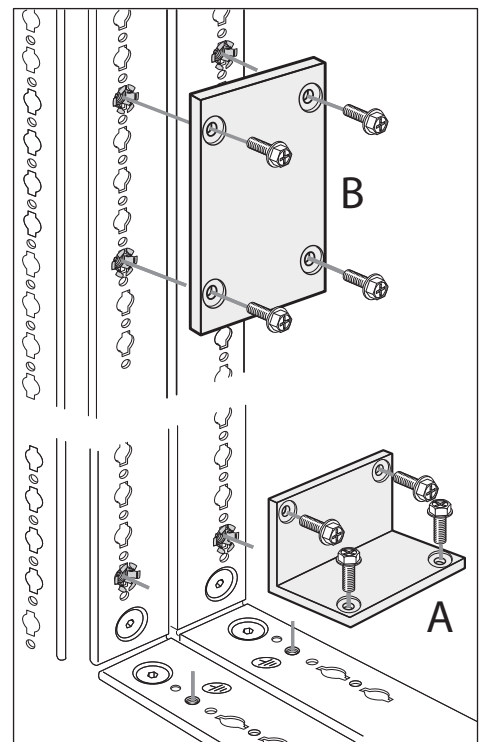
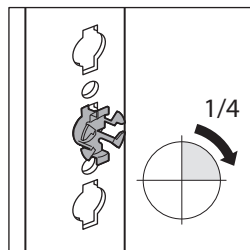
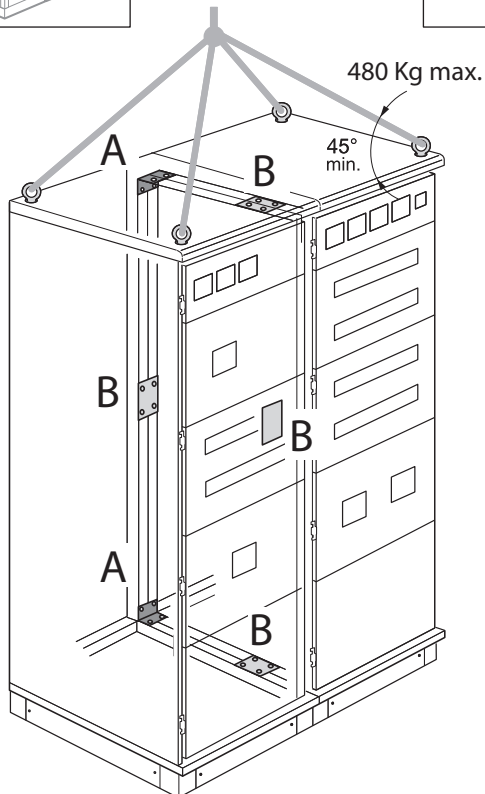
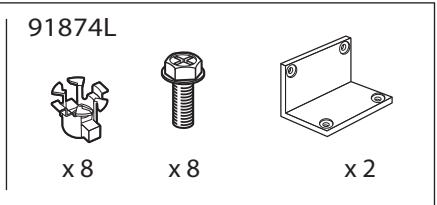
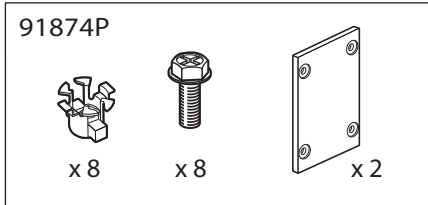
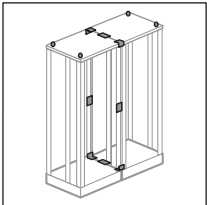
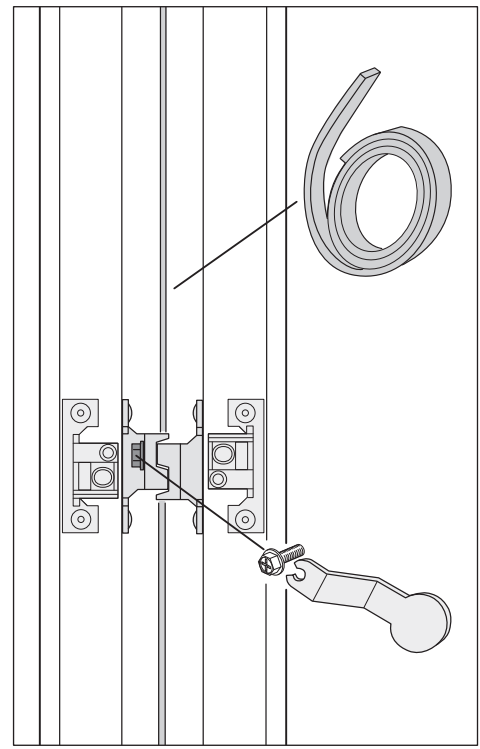
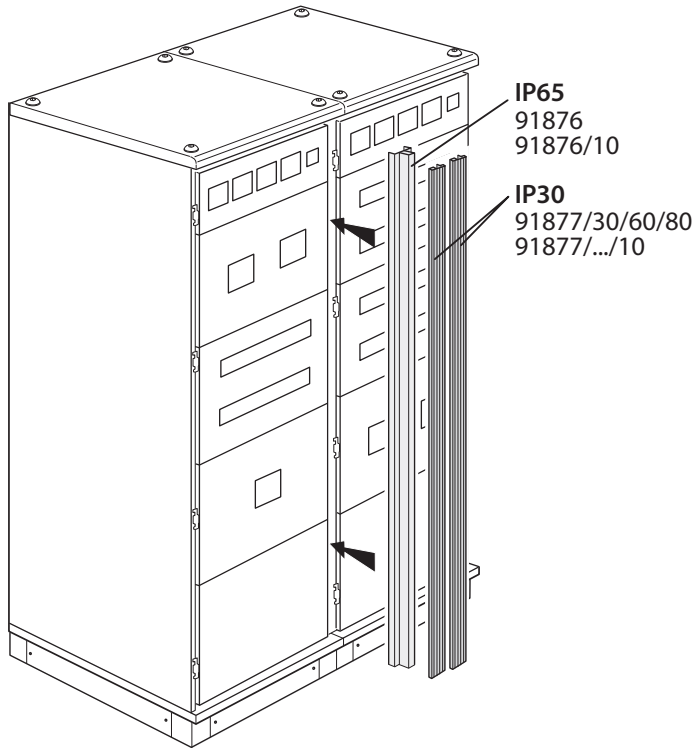
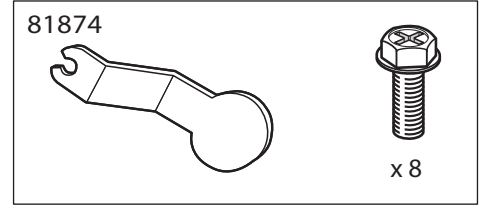
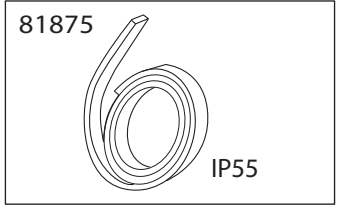
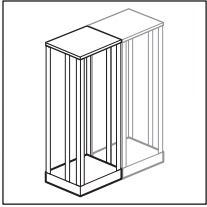


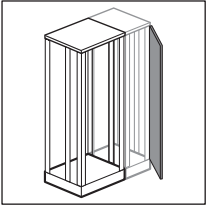
x 4



x 2







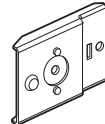
91861/30
91861/30/10



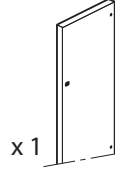
x 6



x 6



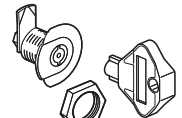
x 6



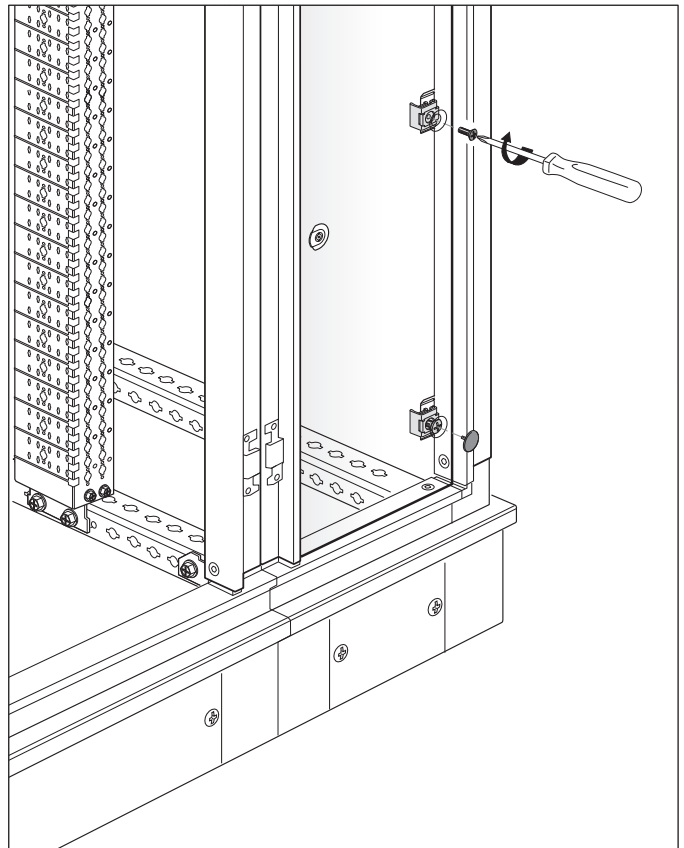
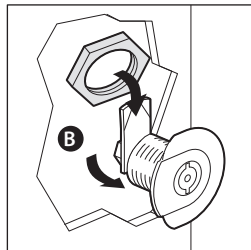
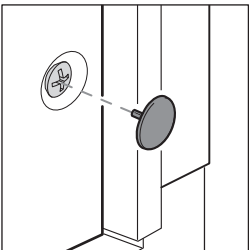
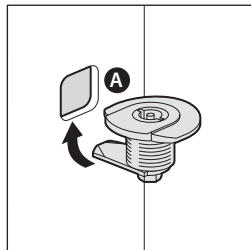
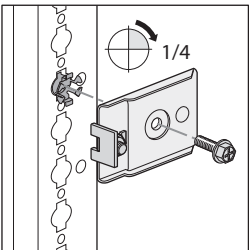
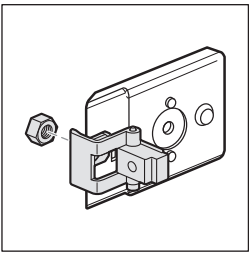
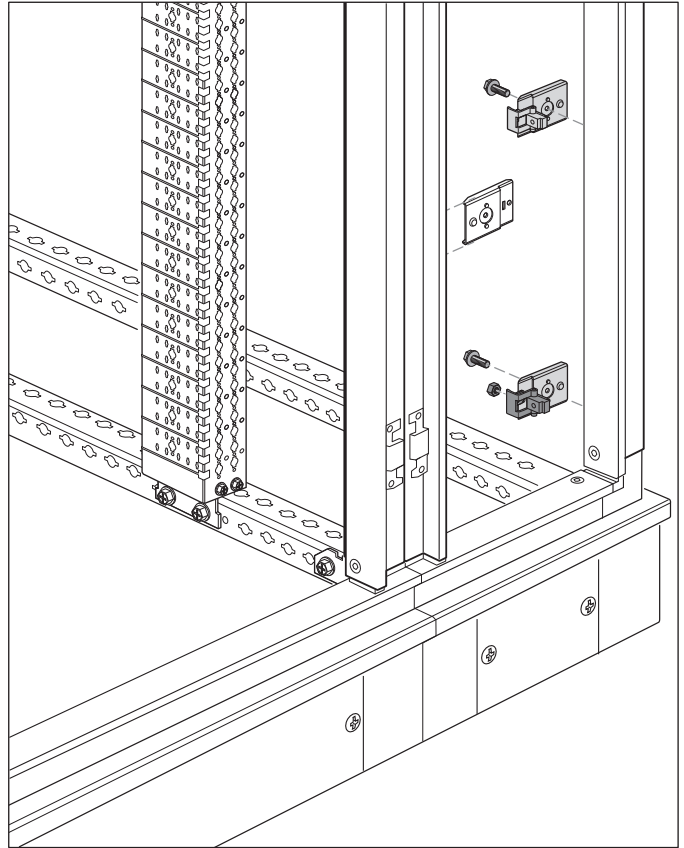
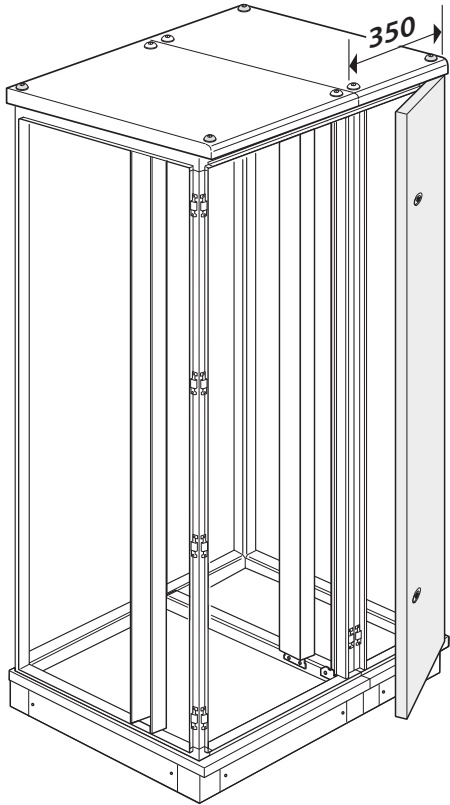
x 1

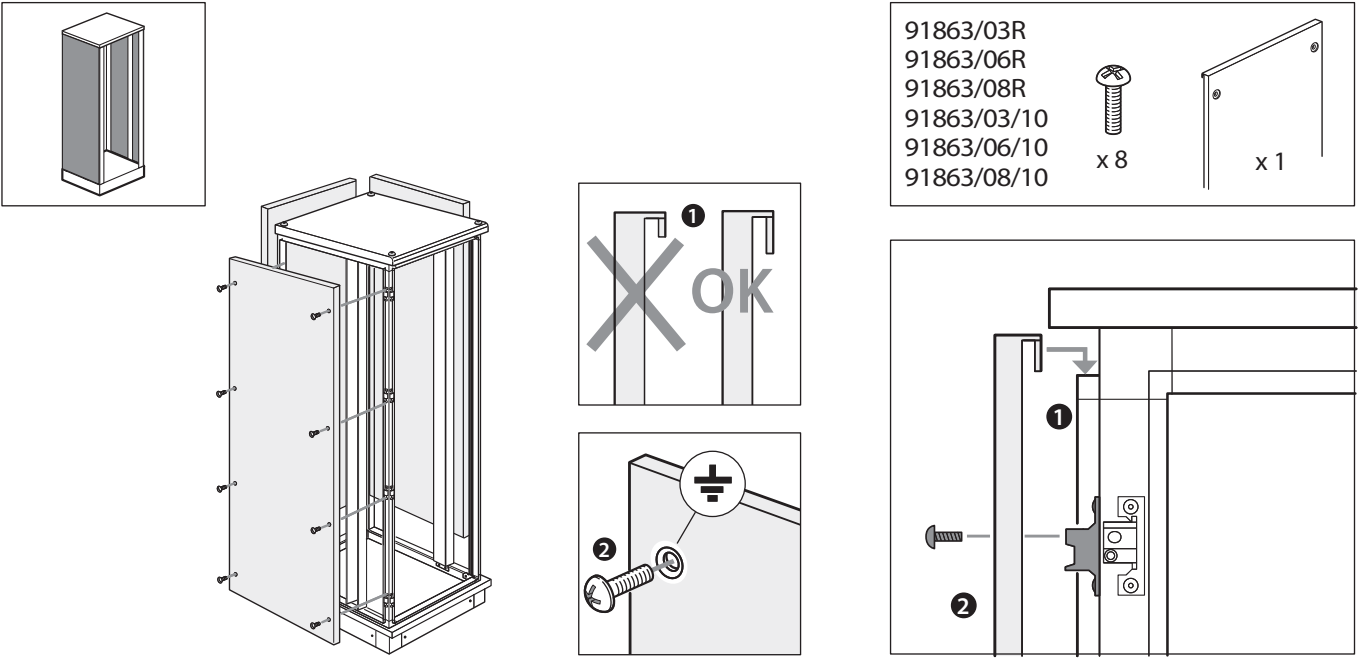
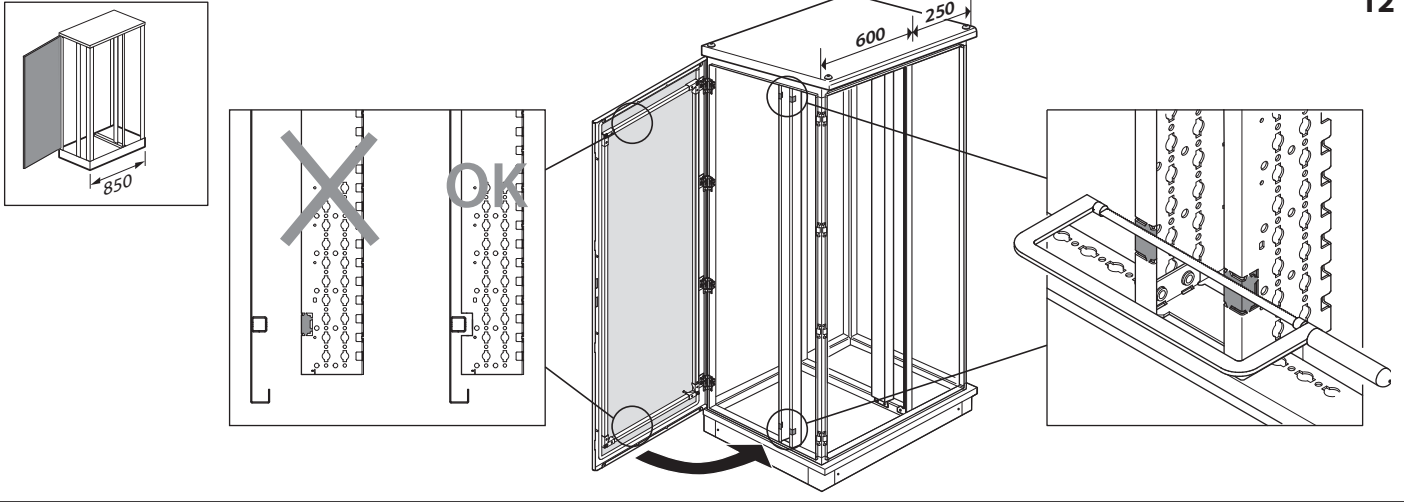


x 4

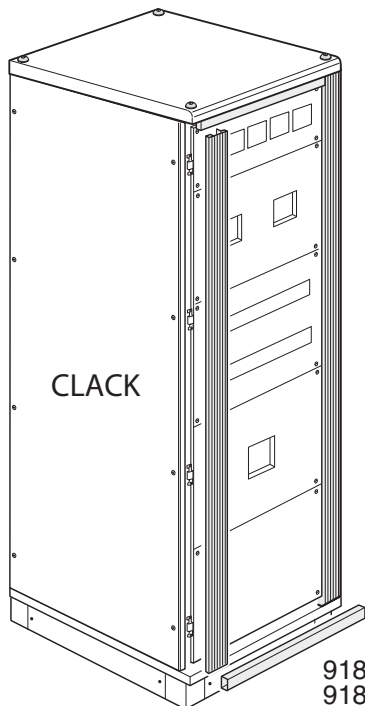


x 2





IP 30



91877/30/60/80
91877/.../10

IP 65

