

# Features & Benefits

## Slim Duct - Ultra-light, adaptable design

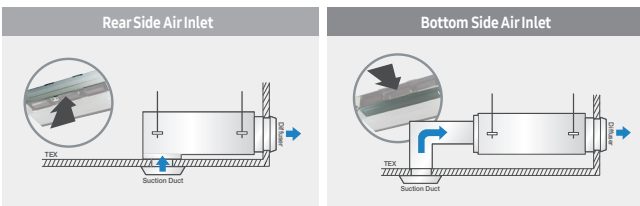


### Temper any environment with industry-best lightweight design and optimized airflow

The new Samsung Slim Duct visually blends into the ceiling while providing powerful cool and warm airflow. It's also easy to install and maintain in any interior regardless of the surrounding environment with its compact size and weight—the lightest in the industry.

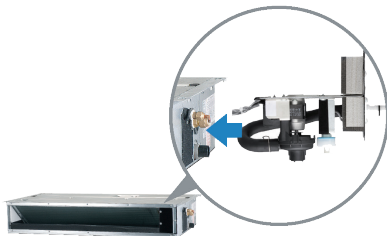
### Flexible setup

The air inlet can be set up either on the bottom or rear of the unit, giving users greater flexibility in installation.



### Simple drain pump installation

The new drain pump in the Slim Duct unit can be installed from the side by simply removing the right side panel. Users no longer need to disassemble the top cover to install, check or repair the drain pump for maximum convenience.

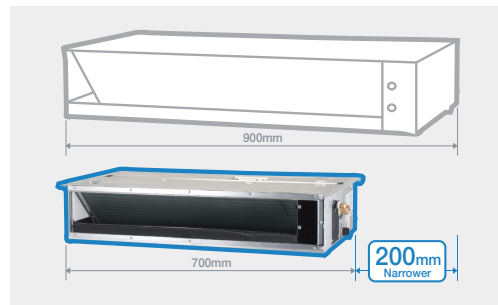


### Various installation options

Slim Duct S adopts an ultra-compact, slim size with its thin width, which is 200 mm narrower than conventional products. This slender build enables flexible installation and maintenance in various environments.

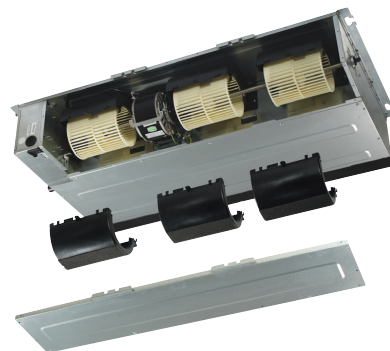
### World's lightest weight

The efficient Slim Duct S is the lightest duct air conditioning unit on the market. At a weight that's 15 percent lighter than conventional units, Slim Duct S offers the best in convenient installation and maintenance.



### Easy access, easy maintenance

Slim Duct features a flexible design that enables users to easily access its parts to maintain the unit.



# Features & Benefits

---

## Duct S

---

### Overview

---

Samsung Ducted Type air conditioning units are a smart solution for low-maintenance, consistent cooling and heating performance in any environment. Their compact, slim frame blends seamlessly into ceilings, enhancing the beauty of the interior space and affording users more flexible installation options. Offering a comprehensive lineup, Samsung Ducted Type air conditioning units offer just the right solution for every need--from the office or shop to the restaurant kitchen.

### Experience performance and convenient comfort for any weather condition

---

Samsung Duct S delivers unparalleled cooling and heating and flexible management with customizable comfort settings in any climate—all year round. Plus, it boasts a slim, compact size and multiple access points for easy setup exactly where needed.



### Smart pressure control

Samsung Ducted Type units feature a smart pressure control system. This system adjusts the fan speed based on the external static pressure (ESP), delivering consistent cooling and heating power, regardless of the surrounding environment.

### Convenient installation

The optional lift-up drain pump lifts condensed water up to 750 mm, compared to a limit of 700 mm on conventional models, for flexible and convenient installation.

The Duct S indoor air conditioning unit delivers smooth, consistent operation and convenience with features such as:

- Efficient operation. Stage the desired atmosphere with energy-efficient performance and customized airflow.
- Smart management. Cool spaces efficiently and manage the air conditioning unit even while away, with features designed for efficiency and control.
- Easy, flexible setup. Install and maintain even multiple units with a compact and easily accessible design.

# 1. Specification

## LSP Duct

Model Name	Indoor Unit			AC026RNLDKG/EU	AC035RNLDKG/EU
	Outdoor Unit			AC026RXADKG/EU	AC035RXADKG/EU
Mode				-	HEAT PUMP
Performance	Capacity (Min/Std/Max)	Cooling	kW	0.80 / 2.60 / 3.80	0.85 / 3.50 / 4.30
			Btu/h	2,730 / 8,870 / 12,970	2,900 / 11,940 / 14,670
		Heating	kW	0.98 / 3.30 / 4.30	1.00 / 4.00 / 5.00
			Btu/h	3,340 / 11,260 / 14,670	3,410 / 13,650 / 17,060
Power	Power Input (Min/Std/Max)	Cooling	kW	0.19 / 0.68 / 1.20	0.20 / 1.12 / 1.40
		Heating	kW	0.20 / 0.87 / 1.45	0.19 / 1.21 / 1.80
	Current Input (Min/Std/Max)	Cooling	A	1.5 / 3.6 / 5.5	1.6 / 5.4 / 6.5
		Heating	A	1.3 / 4.5 / 7.0	1.3 / 5.8 / 10.5
	Current	MCA	A	11.7	11.7
		MFA	A	12.9	12.9
Efficiency	EER	Cooling	-	3.82	3.12
	COP	Heating	-	3.79	3.31
	SEER (Cooling Energy Grade)		-	6.2 (A++)	6.1 (A++)
	SCOP (Heating Energy Grade)		-	4.0 (A+)	4.0 (A+)
	Pdesignh		kW	2.0	2.0
Piping Connections	Liquid Pipe		Type	Flare connection	Flare connection
			Φ, mm (inch)	6.35 (1/4)	6.35 (1/4)
	Gas Pipe		Type	Flare connection	Flare connection
			Φ, mm (inch)	9.52 (3/8)	9.52 (3/8)
	Heat Insulation		-	Both liquid and gas pipes	Both liquid and gas pipes
	Piping length (ODU-IDU)	Standard	m	5	5
			Max.	20	20
Elevation			15	15	
Chargeless			20	20	
Wiring connections	Communication	Min.	mm <sup>2</sup>	0.75	
		Remark	-	F1, F2	
Refrigerant	Type		-	R32	
	Factory Charging	kg	0.9	0.9	
		tCO <sub>2</sub> e	0.61	0.61	

# 1. Specification

## LSP Duct

Model Name	Indoor Unit		AC026RNLDKG/EU	AC035RNLDKG/EU
	Outdoor Unit		AC026RXADKG/EU	AC035RXADKG/EU
Power Supply			Ø, #, V, Hz	1,2,220-240,50
Heat Exchanger	Type		-	F&T
	Material	Fin	-	Al
		Tube	-	Cu
	Fin Treatment		-	Green Hydrophile
Fan	Type		-	Sirocco
	Quantity		EA	2
	Air Flow Rate	Cooling (H/M/L)	m <sup>3</sup> /min	9.0 / 8.2 / 7.4
			l/s	150 / 136.6 / 123.3
		Heating (H/M/L)	m <sup>3</sup> /min	10.0 / 9.0 / 8.0
			l/s	166.6 / 150 / 133.3
External Static Pressure	Min/Std/Max	mmAq	0/2.5/4	
		Pa	0/25/39	
Fan Motor	Type		-	BLDC
	Output		W x n	153 x 1
Drain	Drain Pipe		Φ, mm	VP-25(OD32, ID25)
Sound	Sound Pressure Level	High/Mid/Low/(Silent)	dB(A)	32 / 29 / 26
	Sound Power Level		dB(A)	53
External Dimension	Net Weight		kg	19.0
	Shipping Weight		kg	23.0
	Net Dimensions (WxHxD)		mm	700 x 199 x 600
	Shipping Dimensions (WxHxD)		mm	951 x 280 x 709
Casing	Material		-	EGI Steel Plate
	Infrared remote control		-	AR-EH03E
Control System	Wired remote control		-	MWR-WE13N MWR-WG00*N
	Drain Pump	Drain Pump		-
Max. lifting Height / Displacement		mm / Liter / h	-	
Additional Accessories	Drain Pump	External Model	-	-
		Internal Model	-	MDP-E075SEE3D
		Max. lifting Height / Displacement	mm / Liter / h	750/24
	Air Filter		-	Removable / Washable
	Virus Doctor		-	-

# 1. Specification

## LSP Duct

Model Name	Indoor Unit		AC026RNLDKG/EU	AC035RNLDKG/EU
	Outdoor Unit		AC026RXADKG/EU	AC035RXADKG/EU
Power Supply		Ø, #, V, Hz	1, 2, 220-240, 50	1, 2, 220-240, 50
Heat Exchanger	Type		-	Fin & Tube
	Material	Fin	-	Al
		Tube	-	Cu
Fin Treatment		-	Anti-Corrosion	Anti-Corrosion
Compressor	Model Name		UB9AK5090FER	
	Type		-	Single BLDC
	Output		kW	0.86
	Oil	Type	-	POE
Initial charge		cc	320	
Fan	Type		-	Propeller
	Discharge direction		-	Front
	Quantity		EA	1
	Air Flow Rate		m <sup>3</sup> /min	30
l/s			500	
Fan Motor	Type		-	BLDC Motor
	Output		W x n	40 x 1
Sound	Sound Pressure Level	Cooling	dB(A)	46
		Heating	dB(A)	47
	Sound Power Level		dB(A)	59
External Dimension	Net Weight		kg	32.5
	Shipping Weight		kg	35.5
	Net Dimensions (WxHxD)		mm	790 x 548 x 285
	Shipping Dimensions (WxHxD)		mm	913 x 622 x 371
Casing	Material	Body	-	EGI Steel Plate
	Operating Temp. Range		°C	-15 ~ 46
			°C	-20 ~ 24

### NOTE

- Specification may be subject to change without prior notice.
  - 1) Performances are based on the following test conditions.
    - Cooling : Indoor temperature 27°C DB, 19°C WB, Outdoor temperature 35°C DB, 24°C WB
    - Heating : Indoor temperature 20°C DB, 15°C WB, Outdoor temperature 7°C DB, 6°C WB
    - Equivalent refrigerant pipe length 5m, Level differences 0m
  - 2) Select wire size based on the value of MCA
  - 3) Sound pressure level is obtained in an anechoic room.
    - Sound pressure level is a relative value, depending on the distance and acoustic environment.
    - Sound pressure level may differ depending on operation condition.
    - dBA = A-weighted sound pressure level
    - Reference acoustic pressure 0 dB = 20uPa
  - 4) Sound power level is an absolute value that a sound source generates.
    - dBA = A-weighted sound power level
    - Reference power : 1pW
    - Measured according to ISO 3741
  - 5) These products contain R32(GWP=675) which is fluorinated greenhouse gas.
  - 6) 'MWR-WG00\*N' is new wired remote control type(Graphic).  
If you need the latest control system information, please refer to SAC control TDB.

# 1. Specification

## LSP Duct

Model Name	Indoor Unit			AC052RNLDKG/EU	AC071RNLDKG/EU
	Outdoor Unit			AC052RXADKG/EU	AC071RXADKG/EU
Mode				-	HEAT PUMP
Performance	Capacity (Min/Std/Max)	Cooling	kW	1.20 / 5.00 / 6.50	1.50 / 7.10 / 8.70
			Btu/h	4,100 / 17,060 / 22,180	5,120 / 24,230 / 29,690
		Heating	kW	1.10 / 6.00 / 7.20	1.90 / 8.00 / 9.00
			Btu/h	3,750 / 20,470 / 24,570	6,480 / 27,300 / 30,710
Power	Power Input (Min/Std/Max)	Cooling	kW	0.35 / 1.69 / 2.20	0.35 / 2.38 / 3.60
		Heating	kW	0.26 / 1.74 / 2.70	0.35 / 2.38 / 3.95
	Current Input (Min/Std/Max)	Cooling	A	2.1 / 7.7 / 10.0	2.0 / 10.5 / 16.0
		Heating	A	1.7 / 7.8 / 12.0	2.0 / 10.4 / 17.0
	Current	MCA	A	18.2	18.2
		MFA	A	20.6	20.6
Efficiency	EER	Cooling	-	2.96	2.98
	COP	Heating	-	3.45	3.36
	SEER (Cooling Energy Grade)		-	6.1 (A++)	6.0 (A+)
	SCOP (Heating Energy Grade)		-	3.9 (A)	3.9 (A)
	Pdesignh		kW	2.4	3.7
Piping Connections	Liquid Pipe	Type		Flare connection	Flare connection
		Φ, mm (inch)		6.35 (1/4)	6.35 (1/4)
	Gas Pipe	Type		Flare connection	Flare connection
		Φ, mm (inch)		12.7 (1/2)	15.88 (5/8)
	Heat Insulation		-	Both liquid and gas pipes	Both liquid and gas pipes
	Piping length (ODU-IDU)	Standard	m	5	5
		Max.	m	30	50
Elevation		m	20	30	
Chargeless		m	10	15	
Wiring connections	Communication	Min.	mm <sup>2</sup>	0.75	0.75
		Remark	-	F1, F2	F1, F2
Refrigerant	Type		-	R32	R32
	Factory Charging	kg	1.2	1.7	
		tCO <sub>2</sub> e	0.81	1.15	

# 1. Specification

## LSP Duct

	Model Name		Indoor Unit	AC052RNLDKG/EU	AC071RNLDKG/EU	
			Outdoor Unit	AC052RXADKG/EU	AC071RXADKG/EU	
Indoor Unit	Power Supply		Ø, #, V, Hz	1,2,220-240,50	1,2,220-240,50	
	Heat Exchanger	Type		-	F&T	F&T
		Material	Fin	-	Al	Al
			Tube	-	Cu	Cu
	Fin Treatment		-	Green Hydrophile	Green Hydrophile	
	Fan	Type		-	Sirocco	Sirocco
		Quantity		EA	3	3
		Air Flow Rate	Cooling (H/M/L)	m <sup>3</sup> /min	13.5 / 11.5 / 9.5	19.0 / 14.5 / 10.0
				l/s	225 / 191.6 / 158.3	316.6 / 241.6 / 166.6
		Heating (H/M/L)	m <sup>3</sup> /min	16.0 / 14.0 / 12.0	19.0 / 14.5 / 10.0	
			l/s	266.6 / 233.3 / 200	316.6 / 241.6 / 166.6	
	External Static Pressure	Min/Std/Max	mmAq	0/3.0/4.0	0/3.0/4.0	
			Pa	0/29/39	0/29/39	
	Fan Motor	Type		-	BLDC	BLDC
		Output		W x n	153	153
	Drain	Drain Pipe		Φ, mm	VP-25(OD32, ID25)	VP-25(OD32, ID25)
	Sound	Sound Pressure Level	High/Mid/Low/(Silent)	dB(A)	33 / 30 / 27	37 / 32 / 27
		Sound Power Level		dB(A)	55	59
	External Dimension	Net Weight		kg	23.5	23.5
		Shipping Weight		kg	27.0	27.0
Net Dimensions (WxHxD)		mm	1,100 x 200 x 450	1,100 x 200 x 450		
Shipping Dimensions (WxHxD)		mm	1,319 x 270 x 529	1,319 x 270 x 529		
Casing	Material		-	EGI Steel Plate	EGI Steel Plate	
Control System	Infrared remote control		-	AR-EH03E	AR-EH03E	
	Wired remote control		-	MWR-WE13N MWR-WG00*N	MWR-WE13N MWR-WG00*N	
Drain Pump	Drain Pump		-	-	-	
	Max. lifting Height / Displacement		mm / Liter / h	-	-	
Additional Accessories	Drain Pump	External Model	-	MDP-G075SP	MDP-G075SP	
		Internal Model	-	-	-	
		Max. lifting Height / Displacement	mm / Liter / h	750/24	750/24	
	Air Filter		-	Removable / Washable	Removable / Washable	
	Virus Doctor		-	Option	Option	

# 1. Specification

## LSP Duct

	Model Name			AC052RNLDKG/EU	AC071RNLDKG/EU	
	Indoor Unit			AC052RXADKG/EU	AC071RXADKG/EU	
Outdoor Unit	Power Supply		Ø, #, V, Hz	1, 2, 220-240, 50	1, 2, 220-240, 50	
	Heat Exchanger	Type		-	Fin & Tube	Fin & Tube
		Material	Fin	-	Al	Al
			Tube	-	Cu	Cu
	Fin Treatment		-	Anti-Corrosion	Anti-Corrosion	
	Compressor	Model Name			UB9TK3150FE4	UB4TN8200FE4
		Type		-	Twin BLDC	Twin BLDC
		Output		kW	1.51	1.89
		Oil	Type	-	POE	POE
	Initial charge		cc	500	650	
	Fan	Type		-	Propeller	Propeller
		Discharge direction		-	Front	Front
		Quantity		EA	1	1
		Air Flow Rate			m <sup>3</sup> /min	40
			l/s	667	850	
	Fan Motor	Type		-	BLDC Motor	BLDC Motor
		Output		W x n	125 x 1	125 x 1
	Sound	Sound Pressure Level	Cooling	dB(A)	48	49
			Heating	dB(A)	48	51
		Sound Power Level		dB(A)	62	65
	External Dimension	Net Weight		kg	43.0	51.0
		Shipping Weight		kg	46.5	55.0
Net Dimensions (WxHxD)		mm	880 x 638 x 310	880 x 798 x 310		
Shipping Dimensions (WxHxD)		mm	1,023 x 742 x 413	1,023 x 896 x 413		
Casing	Material	Body	-	EGL Steel Plate	EGL Steel Plate	
		Operating Temp. Range		°C	-15 ~ 50	-15 ~ 50
		Heating	°C	-20 ~ 24	-20 ~ 24	

### NOTE

- Specification may be subject to change without prior notice.
  - 1) Performances are based on the following test conditions.
    - Cooling : Indoor temperature 27°C DB, 19°C WB, Outdoor temperature 35°C DB, 24°C WB
    - Heating : Indoor temperature 20°C DB, 15°C WB, Outdoor temperature 7°C DB, 6°C WB
    - Equivalent refrigerant pipe length 5m, Level differences 0m
  - 2) Select wire size based on the value of MCA
  - 3) Sound pressure level is obtained in an anechoic room.
    - Sound pressure level is a relative value, depending on the distance and acoustic environment.
    - Sound pressure level may differ depending on operation condition.
    - dBA = A-weighted sound pressure level
    - Reference acoustic pressure 0 dB = 20uPa
  - 4) Sound power level is an absolute value that a sound source generates.
    - dBA = A-weighted sound power level
    - Reference power : 1pW
    - Measured according to ISO 3741
  - 5) These products contain R32(GWP=675) which is fluorinated greenhouse gas.
  - 6) 'MWR-WG00\*N' is new wired remote control type(Graphic).  
If you need the latest control system information, please refer to SAC control TDB.



## 2. Summary Table

### LSP Duct

#### Performance Characteristics

Model Code	Net Weight (kg)	Capacity		Fan Speed	Airflow (CMM)	Sound Pressure Level (dBA)	Sound Power Level (dBA)	
		Cooling (kW)	Heating (kW)					
AC026RNLDKG/EU	19.4	Max.	3.80	4.30	High	9.0	32	53
		Std.	2.60	3.30	Mid	8.2	29	
		Min.	0.80	0.98	Low	7.4	26	
AC035RNLDKG/EU	19.4	Max.	4.30	5.00	High	9.5	33	53
		Std.	3.50	4.00	Mid	8.5	30	
		Min.	0.85	1.00	Low	7.5	27	
AC052RNLDKG/EU	23.4	Max.	6.50	7.20	High	13.5	33	55
		Std.	5.00	6.00	Mid	11.5	30	
		Min.	1.20	1.10	Low	9.5	27	
AC071RNLDKG/EU	23.4	Max.	8.70	9.00	High	19.0	37	59
		Std.	7.10	8.00	Mid	14.5	32	
		Min.	1.50	1.90	Low	10.0	27	

#### NOTE

- Sound data is based on cooling operation.

#### Electric Characteristics

Model		Outdoor Unit				Input Current (Amperes)				Power Supply	
Indoor Unit	Outdoor Unit	Rated	Voltage range			Outdoor Unit		Indoor Unit	Total	MCA(A)	MFA(A)
		Hz	Volts	Min.	Max.	Cooling	Heating				
AC026RNLDKG/EU	AC026RXADKG/EU	50	220 to 240	198	264	10	10	1.7	11.7	11.7	12.9
AC035RNLDKG/EU	AC035RXADKG/EU	50	220 to 240	198	264	10	10	1.7	11.7	11.7	12.9
AC052RNLDKG/EU	AC052RXADKG/EU	50	220 to 240	198	264	16.5	16.5	1.7	18.2	18.2	20.6
AC071RNLDKG/EU	AC071RXADKG/EU	50	220 to 240	198	264	16.5	16.5	1.7	18.2	18.2	20.6

#### NOTE

- MCA : Minimum circuit amperes
- MFA : Maximum fuse amperes
- Select wire size based on the value of MCA

# 3. Capacity Table

## LSP Duct

### (1) AC026RNLDKG/EU+AC026RXADKG/EU

#### Cooling

TC : Total Capacity, SHC : Sensible Heat Capacity, PI : Power Input

Outdoor Temperature (°C, DB)	Indoor Temperature (°C, DB / WB)																				
	20 / 14			22 / 16			25 / 18			27 / 19			28 / 20			30 / 22			32 / 24		
	TC	SHC	PI	TC	SHC	PI	TC	SHC	PI	TC	SHC	PI	TC	SHC	PI	TC	SHC	PI	TC	SHC	PI
	kW	kW	kW	kW	kW	kW	kW	kW	kW	kW	kW	kW	kW	kW	kW	kW	kW	kW	kW	kW	kW
-15	2.5	2.0	0.49	2.7	2.1	0.50	2.8	2.1	0.51	2.9	2.2	0.52	2.9	2.2	0.52	3.1	2.2	0.53	3.2	2.1	0.54
21	2.4	1.9	0.51	2.5	2.0	0.52	2.6	2.0	0.53	2.7	2.1	0.54	2.8	2.1	0.55	2.9	2.1	0.55	3.1	2.0	0.57
35	2.3	1.8	0.64	2.4	1.9	0.65	2.5	1.9	0.67	2.6	2.0	0.68	2.7	2.0	0.69	2.8	2.0	0.69	2.9	1.9	0.71
46	2.0	1.7	0.58	2.1	1.8	0.59	2.1	1.8	0.60	2.2	1.9	0.61	2.3	1.8	0.62	2.4	1.8	0.62	2.5	1.8	0.64

#### Heating

TC : Total Capacity, PI : Power Input

Outdoor Temperature (°C, DB)	Indoor Temperature (°C, DB)											
	16		18		20		21		22		24	
	TC	PI	TC	PI	TC	PI	TC	PI	TC	PI	TC	PI
	kW	kW	kW	kW	kW	kW	kW	kW	kW	kW	kW	kW
-20	2.3	1.15	2.3	1.14	2.3	1.13	2.3	1.12	2.2	1.11	2.2	1.10
-15	2.9	1.33	2.9	1.32	2.9	1.31	2.8	1.29	2.8	1.28	2.8	1.27
-5	3.3	1.24	3.3	1.23	3.2	1.22	3.2	1.21	3.2	1.19	3.1	1.18
0	3.4	1.06	3.4	1.05	3.4	1.04	3.3	1.03	3.3	1.02	3.3	1.01
7	3.4	0.89	3.3	0.88	3.3	0.87	3.3	0.86	3.2	0.85	3.2	0.84
24	4.4	1.02	4.3	1.01	4.3	1.00	4.2	0.99	4.2	0.98	4.2	0.97

#### NOTE

- The performance table shows the average value of each conditions.

# 3. Capacity Table

## LSP Duct

### (2) AC035RNLDKG/EU+AC035RXADKG/EU

#### Cooling

TC : Total Capacity, SHC : Sensible Heat Capacity, PI : Power Input

Outdoor Temperature (°C, DB)	Indoor Temperature (°C, DB / WB)																				
	20 / 14			22 / 16			25 / 18			27 / 19			28 / 20			30 / 22			32 / 24		
	TC	SHC	PI	TC	SHC	PI	TC	SHC	PI	TC	SHC	PI	TC	SHC	PI	TC	SHC	PI	TC	SHC	PI
	kW	kW	kW	kW	kW	kW	kW	kW	kW	kW	kW	kW	kW	kW	kW	kW	kW	kW	kW	kW	kW
-15	3.4	2.5	0.80	3.6	2.6	0.82	3.7	2.7	0.83	3.9	2.8	0.85	3.9	2.7	0.86	4.1	2.7	0.87	4.3	2.6	0.89
21	3.3	2.4	0.84	3.4	2.5	0.86	3.6	2.5	0.88	3.7	2.6	0.90	3.7	2.6	0.90	3.9	2.6	0.91	4.1	2.5	0.93
35	3.1	2.3	1.05	3.3	2.4	1.08	3.4	2.4	1.10	3.5	2.5	1.12	3.6	2.5	1.13	3.7	2.5	1.14	3.9	2.4	1.17
46	2.6	2.3	0.95	2.8	2.4	0.97	2.9	2.4	0.99	3.0	2.5	1.01	3.0	2.5	1.02	3.2	2.5	1.03	3.3	2.4	1.05

#### Heating

TC : Total Capacity, PI : Power Input

Outdoor Temperature (°C, DB)	Indoor Temperature (°C, DB)											
	16		18		20		21		22		24	
	TC	PI	TC	PI	TC	PI	TC	PI	TC	PI	TC	PI
	kW	kW	kW	kW	kW	kW	kW	kW	kW	kW	kW	kW
-20	2.8	1.60	2.8	1.59	2.8	1.57	2.7	1.56	2.7	1.54	2.7	1.53
-15	3.5	1.85	3.5	1.83	3.5	1.82	3.4	1.80	3.4	1.78	3.4	1.76
-5	4.0	1.73	4.0	1.71	3.9	1.69	3.9	1.68	3.8	1.66	3.8	1.64
0	4.2	1.48	4.1	1.47	4.1	1.45	4.0	1.44	4.0	1.42	4.0	1.41
7	4.1	1.23	4.0	1.22	4.0	1.21	4.0	1.20	3.9	1.19	3.9	1.17
24	5.3	1.42	5.3	1.41	5.2	1.39	5.1	1.38	5.1	1.36	5.0	1.35

#### NOTE

- The performance table shows the average value of each conditions.

# 3. Capacity Table

## LSP Duct

### (3) AC052RNLDKG/EU+AC052RXADKG/EU

#### Cooling

TC : Total Capacity, SHC : Sensible Heat Capacity, PI : Power Input

Outdoor Temperature (°C, DB)	Indoor Temperature (°C, DB / WB)																				
	20 / 14			22 / 16			25 / 18			27 / 19			28 / 20			30 / 22			32 / 24		
	TC	SHC	PI	TC	SHC	PI	TC	SHC	PI	TC	SHC	PI	TC	SHC	PI	TC	SHC	PI	TC	SHC	PI
	kW	kW	kW	kW	kW	kW	kW	kW	kW	kW	kW	kW	kW	kW	kW	kW	kW	kW	kW	kW	kW
-15	4.9	3.7	1.21	5.1	3.8	1.23	5.3	4.0	1.26	5.5	4.1	1.28	5.6	4.0	1.30	5.9	4.0	1.31	6.2	3.9	1.34
21	4.6	3.5	1.27	4.9	3.7	1.30	5.1	3.8	1.32	5.3	3.9	1.35	5.4	3.8	1.37	5.6	3.8	1.38	5.9	3.7	1.41
35	4.4	3.4	1.59	4.7	3.5	1.62	4.9	3.6	1.66	5.0	3.7	1.69	5.1	3.7	1.71	5.4	3.6	1.72	5.6	3.6	1.76
46	3.8	3.2	1.43	4.0	3.3	1.46	4.1	3.4	1.49	4.3	3.5	1.52	4.3	3.4	1.54	4.6	3.4	1.55	4.8	3.3	1.58
50	2.9	2.5	1.27	3.0	2.6	1.30	3.2	2.6	1.32	3.3	2.7	1.35	3.3	2.7	1.37	3.5	2.7	1.38	3.7	2.6	1.41

#### Heating

TC : Total Capacity, PI : Power Input

Outdoor Temperature (°C, DB)	Indoor Temperature (°C, DB)											
	16		18		20		21		22		24	
	TC	PI	TC	PI	TC	PI	TC	PI	TC	PI	TC	PI
	kW	kW	kW	kW	kW	kW	kW	kW	kW	kW	kW	kW
-20	4.2	2.31	4.2	2.28	4.1	2.26	4.1	2.24	4.1	2.22	4.0	2.19
-15	5.3	2.66	5.3	2.64	5.2	2.61	5.2	2.58	5.1	2.56	5.1	2.53
-5	6.0	2.48	5.9	2.46	5.9	2.44	5.8	2.41	5.8	2.39	5.7	2.36
0	6.2	2.13	6.2	2.11	6.1	2.09	6.1	2.07	6.0	2.05	5.9	2.03
7	6.1	1.77	6.1	1.76	6.0	1.74	5.9	1.72	5.9	1.71	5.8	1.69
24	8.0	2.04	7.9	2.02	7.8	2.00	7.7	1.98	7.6	1.96	7.6	1.94

#### NOTE

- The performance table shows the average value of each conditions.

# 3. Capacity Table

## LSP Duct

### (4) AC071RNLDKG/EU+AC071RXADKG/EU

#### Cooling

TC : Total Capacity, SHC : Sensible Heat Capacity, PI : Power Input

Outdoor Temperature (°C, DB)	Indoor Temperature (°C, DB / WB)																				
	20 / 14			22 / 16			25 / 18			27 / 19			28 / 20			30 / 22			32 / 24		
	TC	SHC	PI	TC	SHC	PI	TC	SHC	PI	TC	SHC	PI	TC	SHC	PI	TC	SHC	PI	TC	SHC	PI
	kW	kW	kW	kW	kW	kW	kW	kW	kW	kW	kW	kW	kW	kW	kW	kW	kW	kW	kW	kW	kW
-15	6.9	5.3	1.70	7.3	5.5	1.74	7.6	5.7	1.77	7.8	5.8	1.81	8.0	5.8	1.83	8.4	5.7	1.84	8.8	5.6	1.88
21	6.6	5.1	1.79	6.9	5.2	1.83	7.2	5.4	1.87	7.5	5.6	1.90	7.6	5.5	1.92	8.0	5.5	1.94	8.4	5.3	1.98
35	6.3	4.8	2.24	6.6	5.0	2.29	6.9	5.1	2.33	7.1	5.3	2.38	7.2	5.2	2.40	7.6	5.2	2.43	8.0	5.1	2.48
46	5.3	4.5	2.02	5.6	4.6	2.06	5.9	4.8	2.10	6.0	4.9	2.14	6.2	4.9	2.16	6.5	4.8	2.18	6.8	4.7	2.23
50	4.1	3.5	1.79	4.3	3.6	1.83	4.5	3.8	1.87	4.6	3.9	1.90	4.7	3.8	1.92	4.9	3.8	1.94	5.2	3.7	1.98

#### Heating

TC : Total Capacity, PI : Power Input

Outdoor Temperature (°C, DB)	Indoor Temperature (°C, DB)											
	16		18		20		21		22		24	
	TC	PI	TC	PI	TC	PI	TC	PI	TC	PI	TC	PI
	kW	kW	kW	kW	kW	kW	kW	kW	kW	kW	kW	kW
-20	5.6	3.16	5.6	3.12	5.5	3.09	5.5	3.06	5.4	3.03	5.4	3.00
-15	7.1	3.64	7.0	3.61	7.0	3.57	6.9	3.53	6.8	3.50	6.8	3.46
-5	8.0	3.40	7.9	3.37	7.8	3.33	7.8	3.30	7.7	3.27	7.6	3.23
0	8.3	2.91	8.2	2.88	8.2	2.86	8.1	2.83	8.0	2.80	7.9	2.77
7	8.2	2.43	8.1	2.40	8.0	2.38	7.9	2.36	7.8	2.33	7.8	2.31
24	10.6	2.79	10.5	2.76	10.4	2.74	10.3	2.71	10.2	2.68	10.1	2.66

#### NOTE

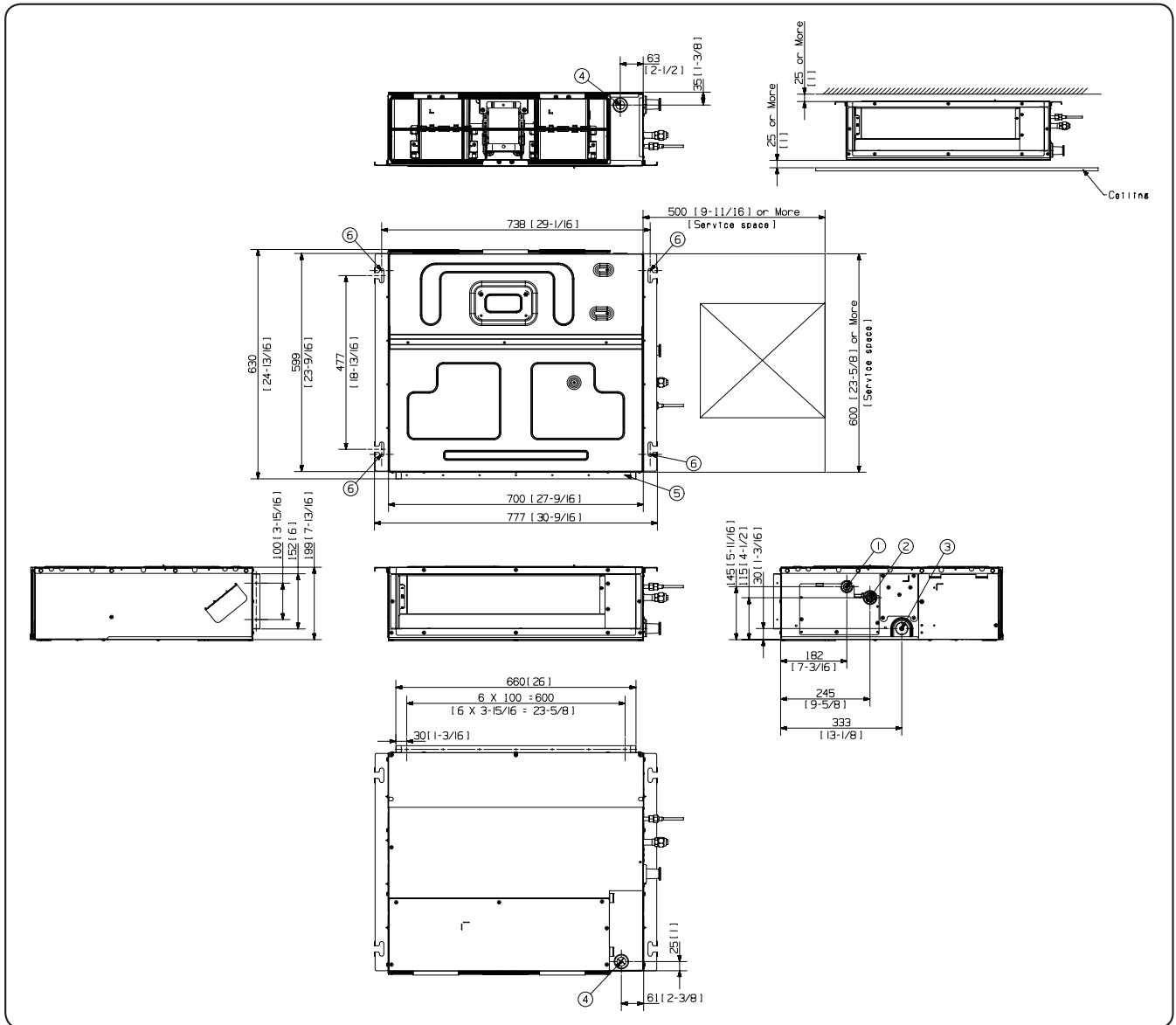
- The performance table shows the average value of each conditions.

# 4. Dimensional Drawing

## LSP Duct (Slim duct)

AC026/035RNLDKG/EU

Units : mm [inches]



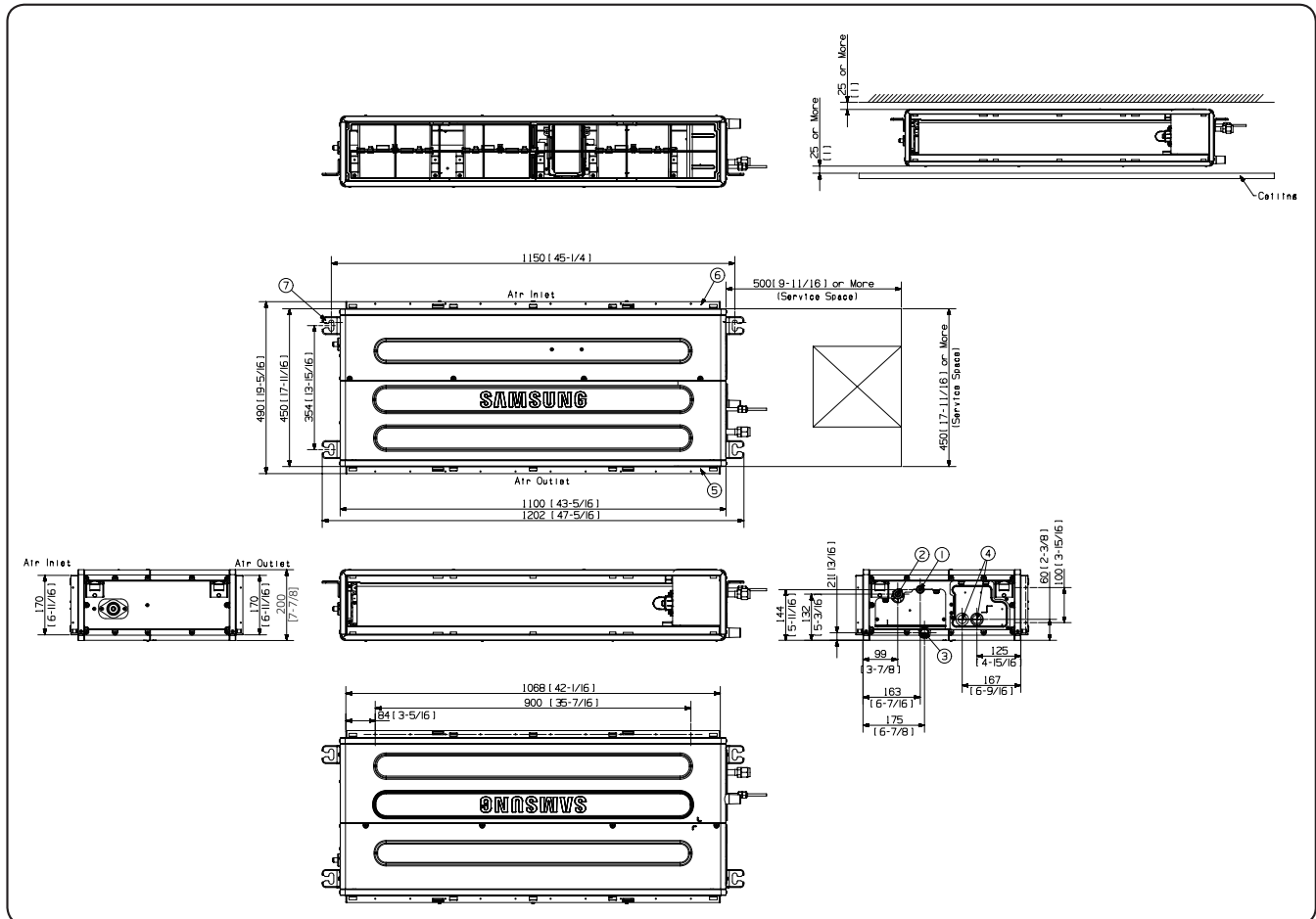
No.	Name	Description
1	Liquid pipe connection	Φ6.35(1/4)
2	Gas pipe connection	Φ9.52(3/8)
3	Drain pipe connection	VP-25(OD32, ID25)
4	Power supply & Communication wiring conduit	
5	Air suction flange	
6	Hook	Use M8~M10 bolt(4ea)

# 4. Dimensional Drawing

## LSP Duct (Duct S)

AC052/071RNLDKG/EU

Units : mm [inches]



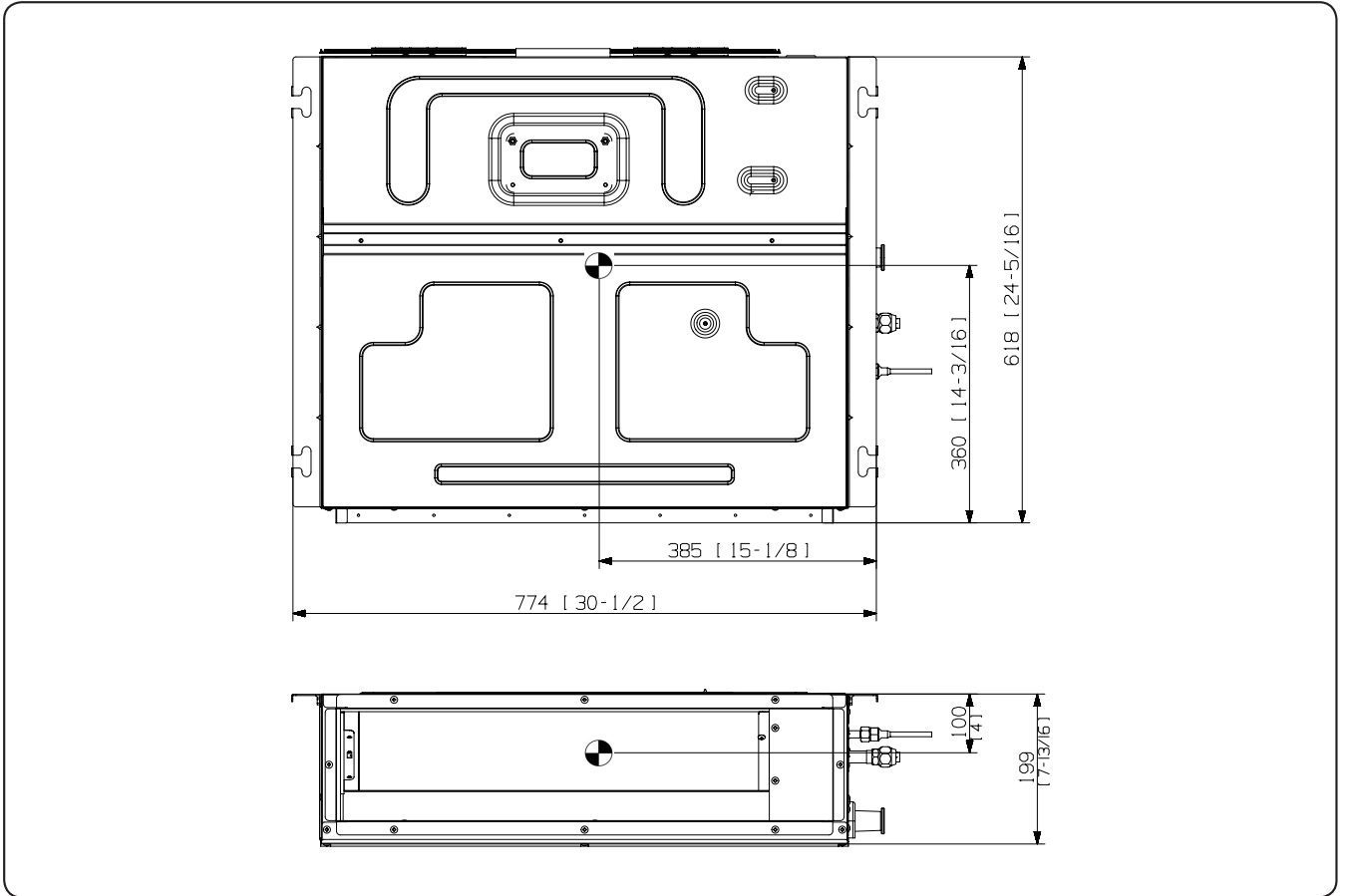
No.	Name	Description	
		AC052RNLDKG/EU	AC071RNLDKG/EU
1	Liquid pipe connection	Φ6.35(1/4)	
2	Gas pipe connection	Φ12.7(1/2)	Φ15.88(5/8)
3	Drain pipe connection	VP-25(OD32, ID25)	
4	Power supply & Communication wiring conduit		
5	Air suction flange		
6	Air discharge flange		
7	Hook	Use M8~M10 bolt(4ea)	

# 5. Center of Gravity

LSP Duct

AC026/035RNLDKG/EU

Units : mm [inches]



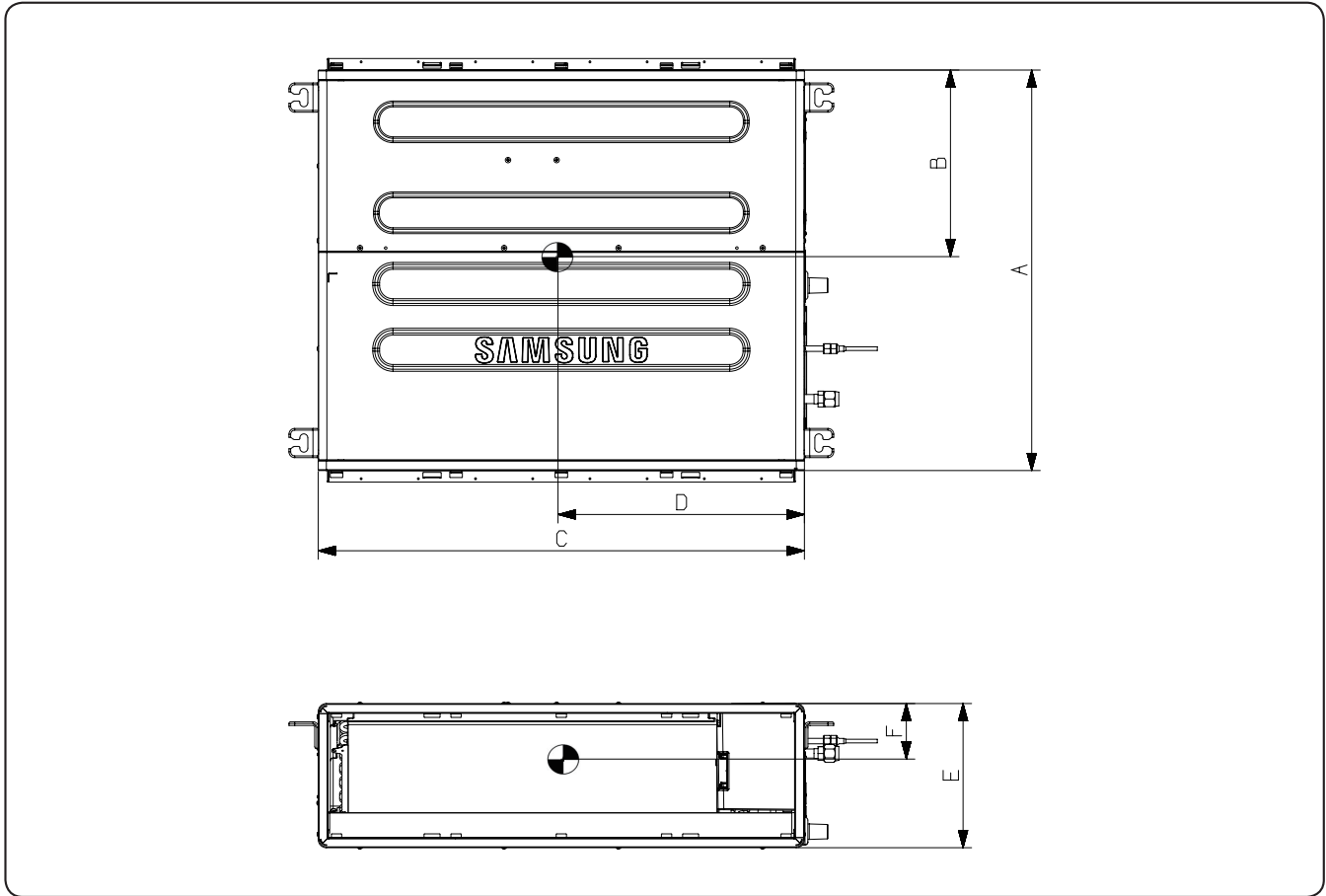


# 5. Center of Gravity

LSP Duct

AC052/071RNLDKG/EU

Units : mm [inches]

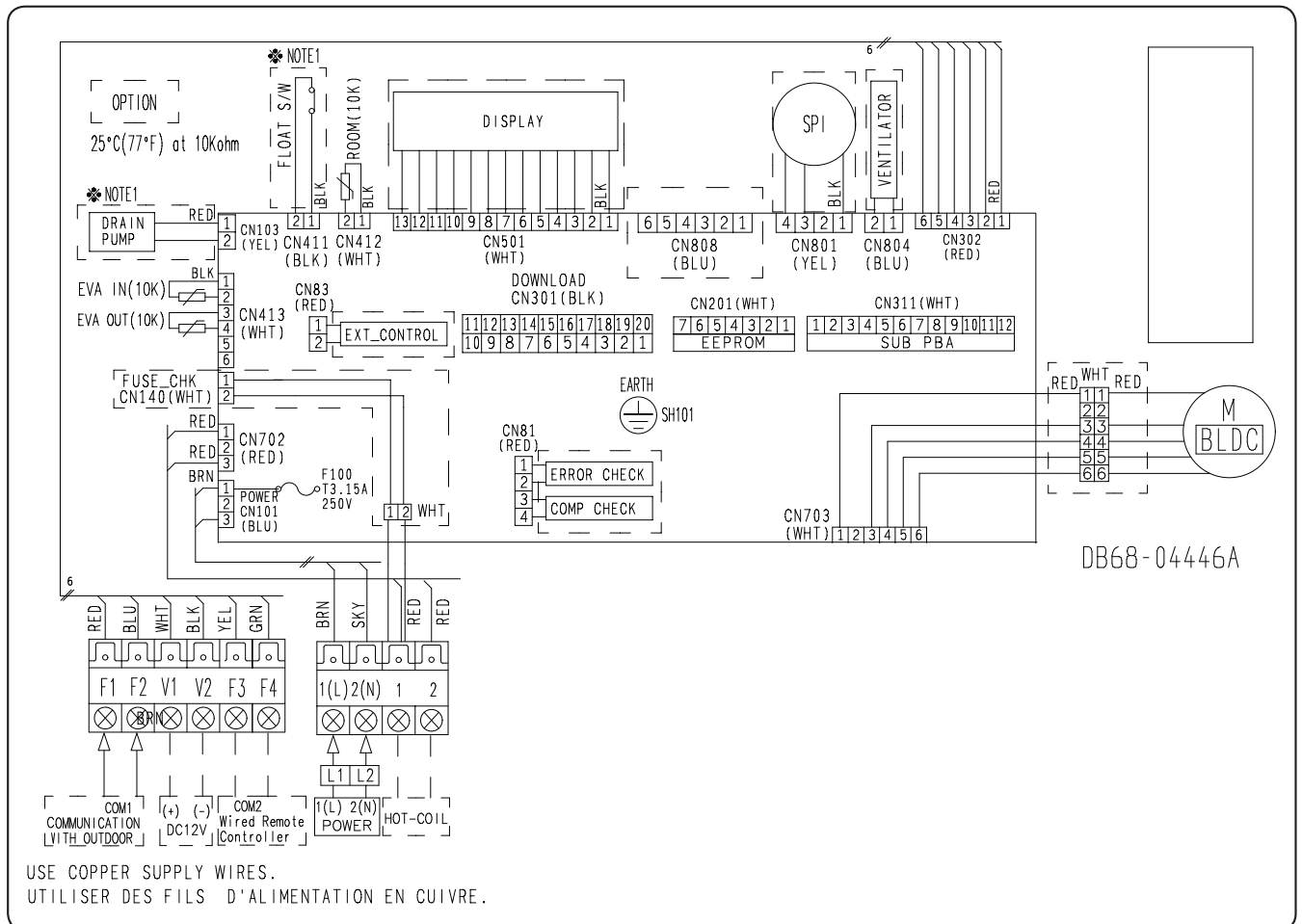


	A	B	C	D	E	F
5.2kW ~ 7.1kW	450 [17-11/16]	220 [8-5/8]	1100 [43-5/16]	520 [20-1/2]	200 [7-7/8]	100 [3-15/16]

# 6. Electrical Wiring Diagram

## LSP Duct

### AC026/035/052/071RNLDKG/EU



SPI	S-Plasma ion	EEV	Electronic Expansion Valve	ROOM	Thermistor ROOM in (10K)
FLOAT S/W	Switch of the float of Drain	EVA-IN	Thermistor EVA IN(10K)	EVA-OUT	Thermistor EVA OUT(10K)

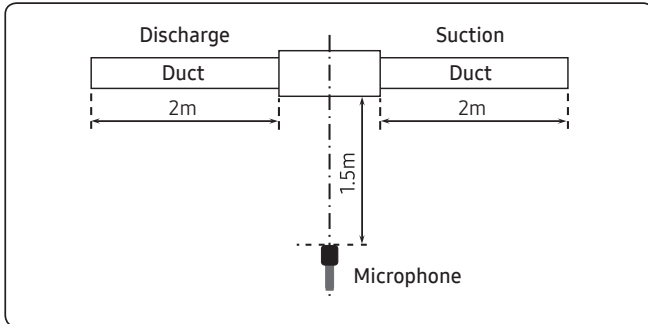
### NOTE

- This wiring diagram applies only to the Indoor unit.
- Symbols show as follow :  
blk: black, red: red, blu: blue, wht: white, yel: yellow, brn: brown, sky: skyblue: grn: green
- For connection wiring indoor-outdoor transmission F1-F2, indoor-wired remote controller transmission F3-F4.
- Protective earth(screw)

# 7. Sound Data

## LSP Duct

### Sound Pressure level

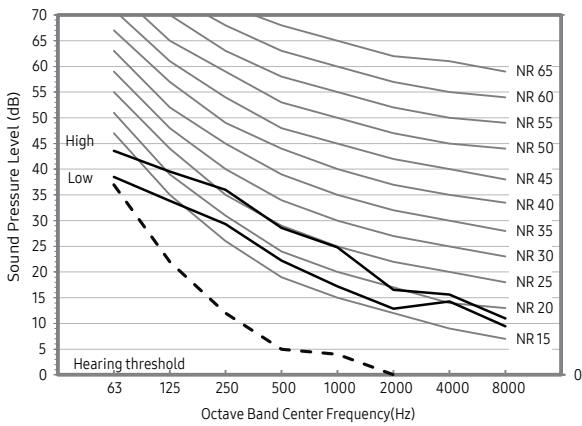


Unit: dB(A)

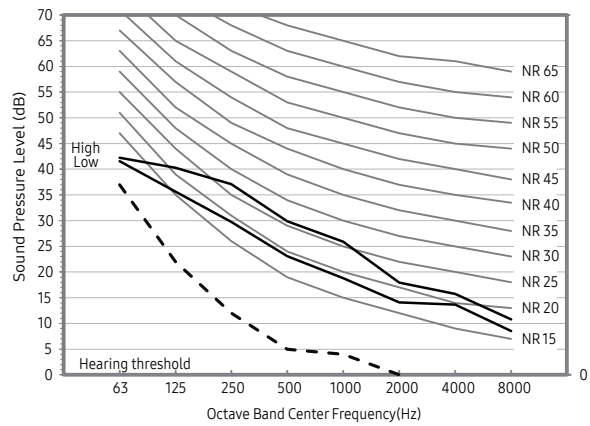
Model	HIGH	MID	LOW
AC026RNLDKG/EU	32	29	26
AC035RNLDKG/EU	33	30	27
AC052RNLDKG/EU	33	30	27
AC071RNLDKG/EU	37	32	27

- NR Curve

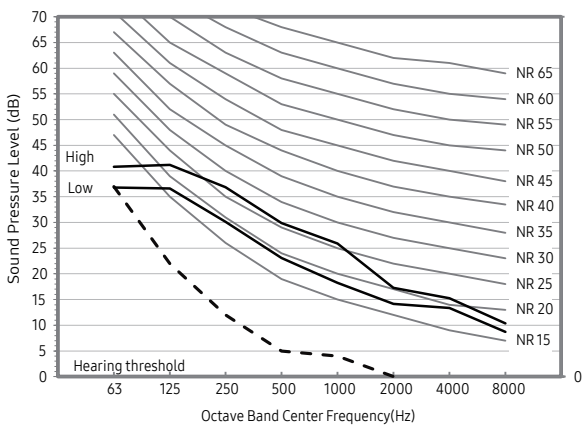
1) AC026RNLDKG/EU



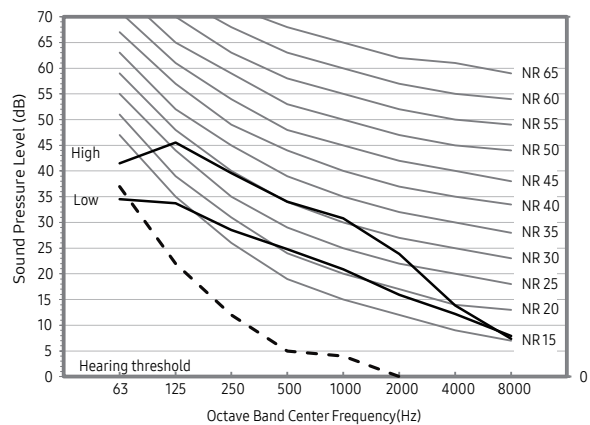
2) AC035RNLDKG/EU



3) AC052RNLDKG/EU



4) AC071RNLDKG/EU



### NOTE

- Specifications may be subject to change without prior notice.
  - Sound pressure level is obtained in an anechoic room.
  - Sound pressure level is a relative value, depending on the distance and acoustic environment.
  - Sound pressure level may differ depending on operation condition.
  - dB(A) = A weighted sound pressure level
  - Reference acoustic pressure 0 dB = 20μPa

# 7. Sound Data

## LSP Duct

### Sound Power level

**NOTE**

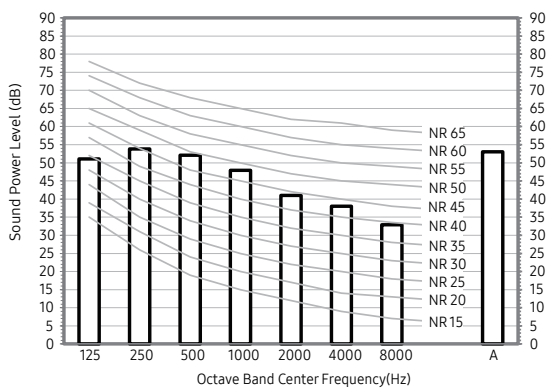
- Specifications may be subject to change without prior notice
  - Sound power level is an absolute value that a sound source generates.
  - dBA = A-weighted sound power level.
  - Reference power : 1pW.
  - Measured according to ISO 3741.

Unit: dB(A)

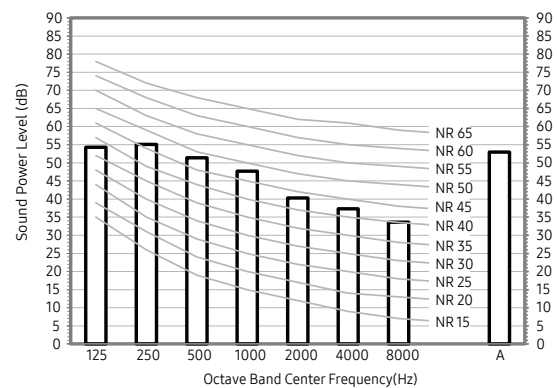
Model	Power
AC026RNLDKG/EU	53
AC035RNLDKG/EU	53
AC052RNLDKG/EU	55
AC071RNLDKG/EU	59

• NR Curve

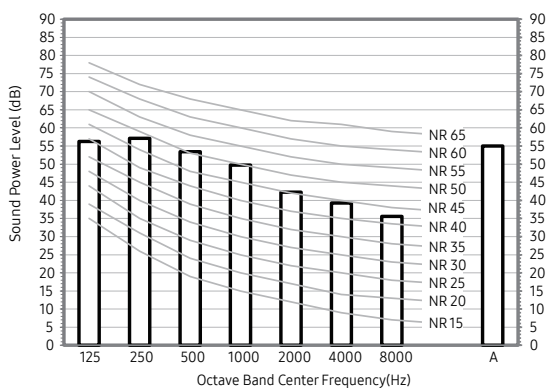
1) AC026RNLDKG/EU



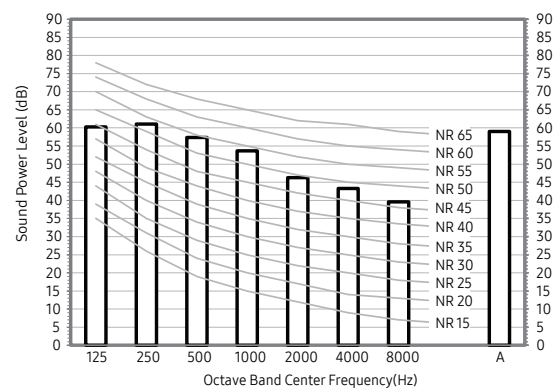
2) AC035RNLDKG/EU



3) AC052RNLDKG/EU



4) AC071RNLDKG/EU

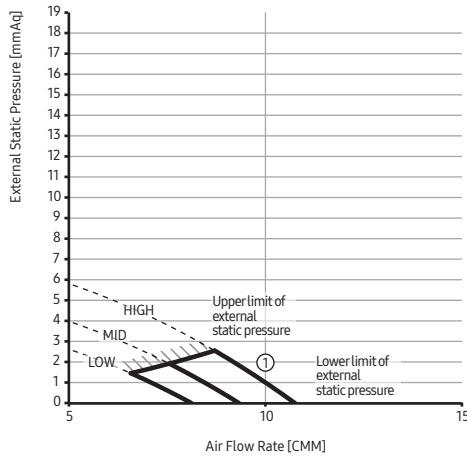


# 8. Fan Characteristics

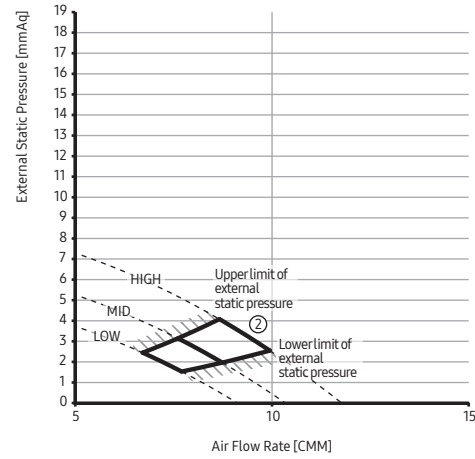
## LSP Duct

### 1) AC026RNLDKG/EU

①	External Static Pressure(mmAq)	Option Code
	0 ≤ SP ≤ 2.5	01C17C-1C1914-271A21-370000

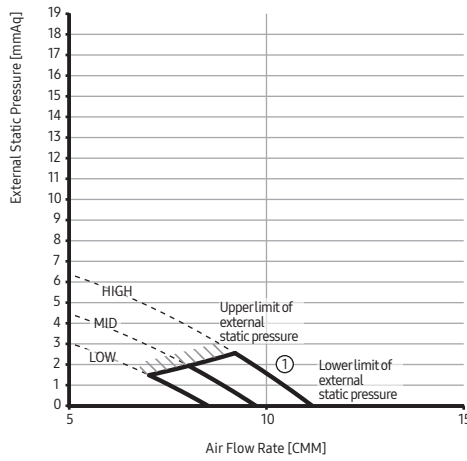


②	External Static Pressure(mmAq)	Option Code
	2.5 < SP ≤ 4	01C17C-1C1969-271A21-370000

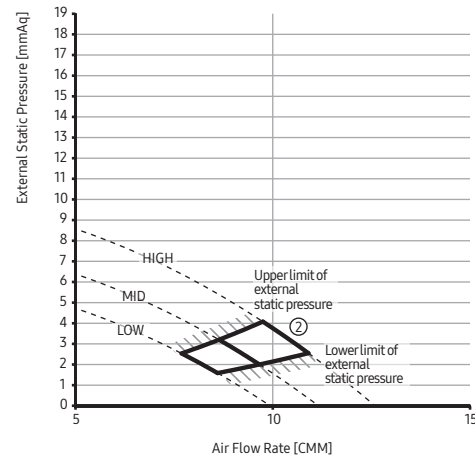


### 2) AC035RNLDKG/EU

①	External Static Pressure(mmAq)	Option Code
	0 ≤ SP ≤ 2.5	01C17C-1C3936-272328-370000



②	External Static Pressure(mmAq)	Option Code
	2.5 < SP ≤ 4	01C17C-1C39AD-272328-370000

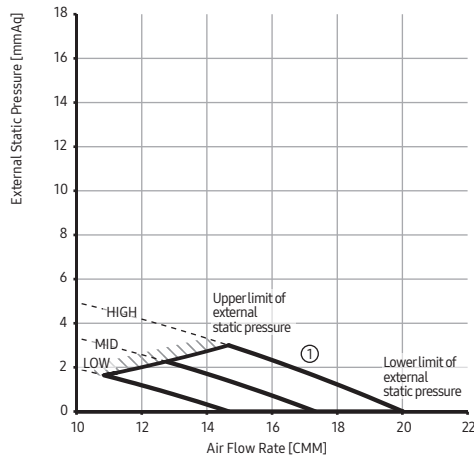


# 8. Fan Characteristics

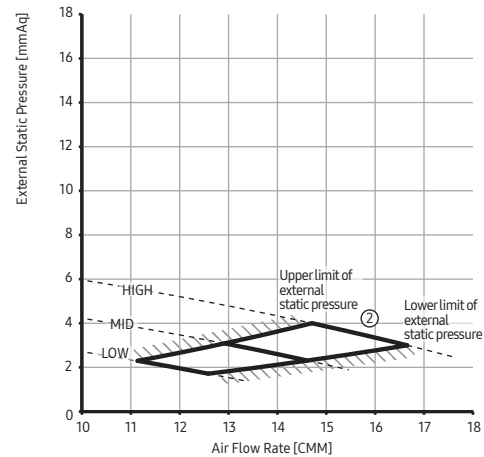
## LSP Duct

### 3) AC052RNLDKG/EU

①	External Static Pressure(mmAq)	Option Code
	$0 \leq SP \leq 3$	01C17C-1C1924-27343C-370000

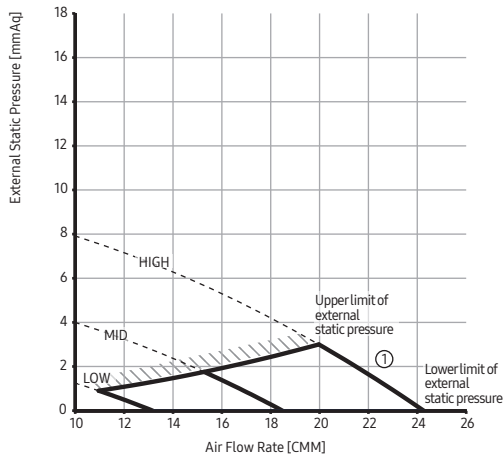


②	External Static Pressure(mmAq)	Option Code
	$3 < SP \leq 4$	01C17C-1C1968-27343C-370000

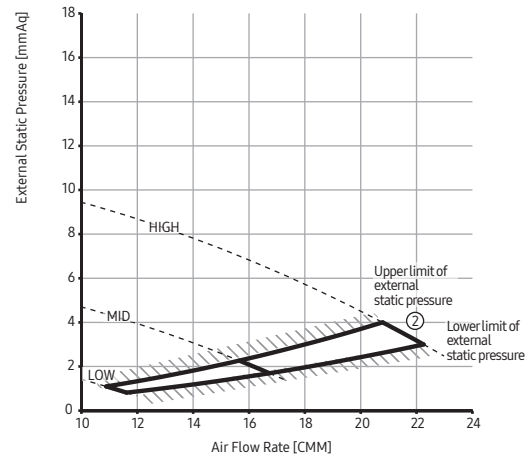


### 4) AC071RNLDKG/EU

①	External Static Pressure(mmAq)	Option Code
	$0 \leq SP \leq 3$	01C17C-1C59D0-274750-370005



②	External Static Pressure(mmAq)	Option Code
	$3 < SP \leq 4$	01C17C-1C5D21-274750-370005



### NOTE

- Adjust option code according to the actual installation condition (external static pressure).
- The graphs display the available external static pressure range of installed indoor units. Therefore, they do not reflect the actual change of external static pressure and airflow rate according to adjusted airflow (High-Mid-Low) of installed indoor units.