

# DDSU666 series

single phase electronic energy meter(DIN-Rail)

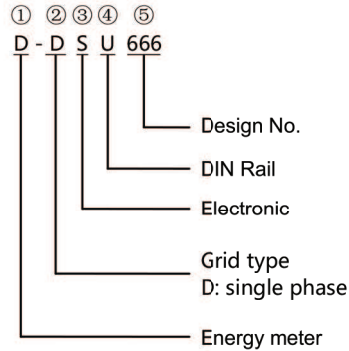


## 2. Main functions and characteristic

- ◆ DIN35mm standard DIN-Rail mount, with segment LCD display;
- ◆ Measuring function: it is characterized with measurement for active energy and voltage, current, frequency, power, power factor, etc.

## 3 Model composition and the representative meanings:

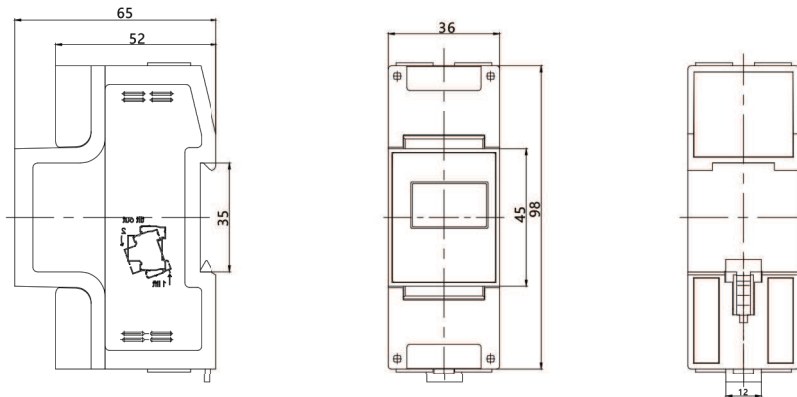
The model is composed of five parts, when ordering, Part ①~Part ⑤ are required, and others can be determined according to their needs.



## 4 Technical parameters:

Item	Index
Reference voltage	220V
Current specification	Via CT: AC1.6(6)A Direct input: AC5(80)A
Reference frequency	50Hz
Display method	Segment LCD
Accuracy class	Class 1
Voltage range	Specified working voltage range: 0.9Un~1.1Un; extended working voltage range: 0.7Un~1.2Un
Working temperature range	Specified working temperature range:-25°C~+55°C; limited working temperature range:-40°C~+70°C
Power consumption	Voltage loop: ≤1W/5VA; current loop: ≤2VA

## 5 External and installation size



## 1.General

DDSU666 series electronic energy meter adopts DIN35 standard guide rail installation design, has the measurement of active energy and electric parameters. It is widely applied into the internal energy assessment and monitoring for industrial and mining enterprises, hotels, schools and large public buildings.