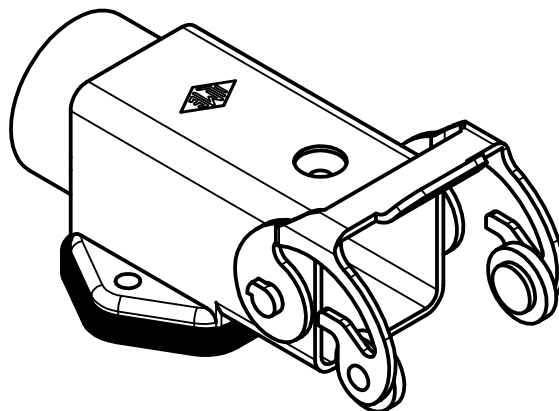
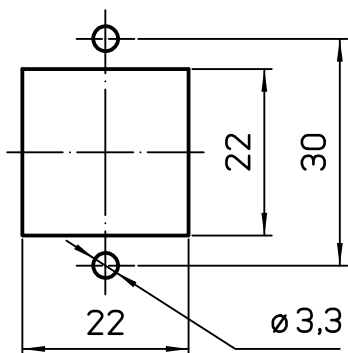


Panel cut-out

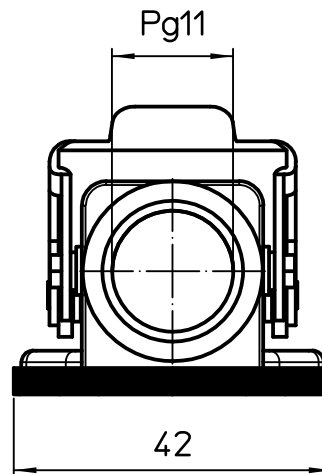
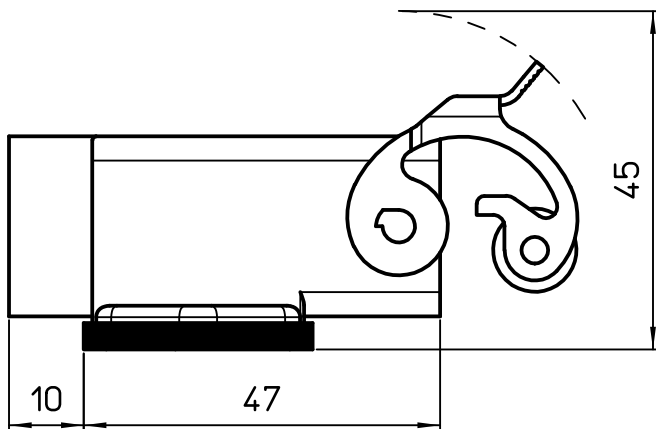
A



A

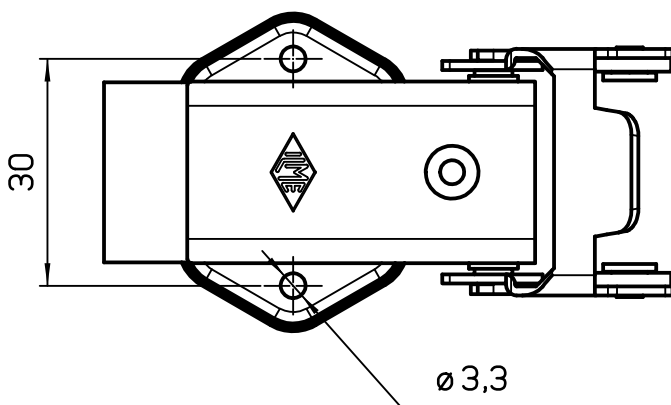
Diritti riservati All rights reserved

B



B

C



C

REV.	DATE	SIGNATURE
------	------	-----------



Simplified representation with dimensions without tolerance

Original Size A4

Date 13/03/23

Sign. G.Renna

CKAX 03 IAP

Angled bulkhead mounting housing, size "21.21", Pg11 cable entry, stainless steel lever

Scale 1:1

