



GOOD-ARK

## KBPC10,15,25,35 SERIES

SINGLE-PHASE SILICON BRIDGE

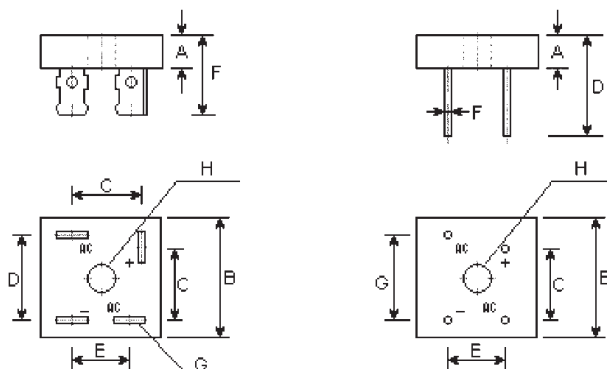
Reverse Voltage - 50 to 1000 Volts

Forward Current - 10.0/15.0/25.0/35.0 Amperes

### Features

- Surge overload 200-400 amperes peak
- Low forward voltage drop
- Mounting position: Any
- Electrically isolated base-1800 volts
- Solderable 0.25" FASTON terminals
- Materials used carries U/L recognition

### KBPC



DIM	DIMENSIONS				Note
	inches		mm		
	Min.	Max.	Min.	Max.	
A	0.432	0.442	10.97	11.23	
B	1.12	1.13	28.4	28.7	
C	0.612	0.692	15.5	17.6	
D	0.672	0.752	17.1	19.1	
E	0.512	0.590	13	15	
F	-	1.0	-	25.4	
H	HOLE FOR NO.8 SCREW 0.193(4.9) DIA				

DIM	DIMENSIONS				Note
	inches		mm		
	Min.	Max.	Min.	Max.	
A	0.432	0.442	10.97	11.23	
B	1.12	1.13	28.4	28.7	
C	0.410	0.490	10.4	12.4	
D	1.2	-	30.5	-	
E	0.672	0.752	17.1	19.1	
F	0.04(1.0) DIA Typ.				
G	0.672	0.752	17.1	19.1	
H	HOLE FOR NO. 8 SCREW 0.193(4.9) DIA				

### Maximum Ratings and Electrical Characteristics

Ratings at 25°C ambient temperature unless otherwise specified. Resistive or inductive load 60Hz

For capacitive load, derate current by 20%.

64/1500 64/1505 64/1510 64/1515 64/1520

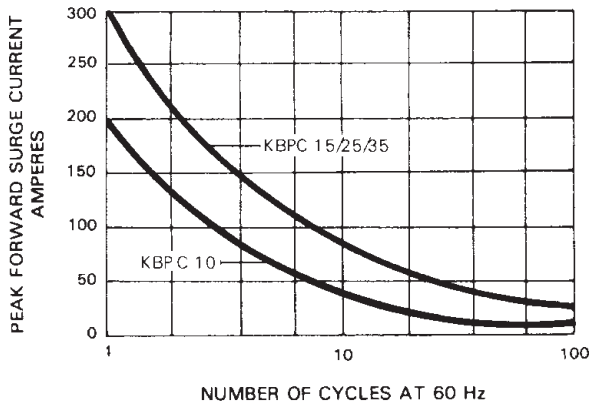
	Symbols	KBPC10005 KBPC15005 KBPC25005 KBPC35005	KBPC1001 KBPC1501 KBPC2501 KBPC3501	KBPC2502	KBPC2504	KBPC2506	KBPC2508	KBPC2510	Units
Maximum repetitive peak reverse voltage	$V_{RRM}$	50	100	200	400	600	800	1000	Volts
Maximum RMS bridge input voltage	$V_{RMS}$	35	70	140	280	420	560	700	Volts
Maximum average forward rectified output current at $T_C=55^\circ\text{C}$	$I_{(AV)}$	KBPC10: 10.0 KBPC15: 15.0 KBPC25: 25.0 KBPC35: 35.0							Amps
Peak forward surge current, 8.3ms single half sine-wave superimposed on rated load	$I_{FSM}$	KBPC10: 200.0 KBPC15: 300.0 KBPC25: 300.0 KBPC35: 400.0							Amps
Maximum forward Voltage drop per element at 5.0/7.5/12.5/17.5A peak	$V_F$	1.2							Volts
Maximum DC reverse current at rated DC blocking voltage per element $T_A=25^\circ\text{C}$	$I_R$	10.0							$\mu\text{A}$
Operating temperature range	$T_J$	-55 to +125							$^\circ\text{C}$
Storage temperature range	$T_{STG}$	-55 to +150							$^\circ\text{C}$

Note:

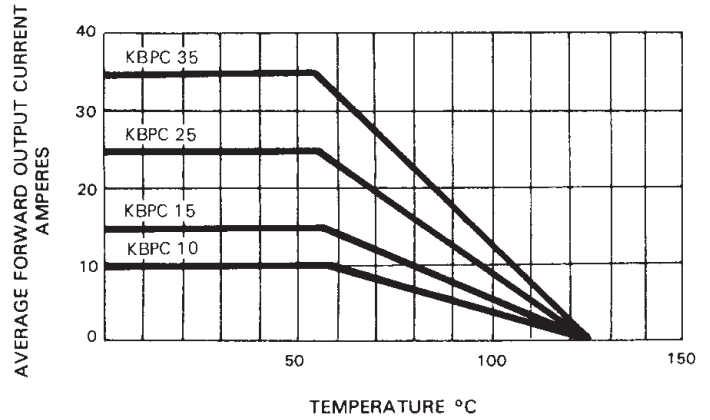
(1) Also available on KBPC10W / 15W / 25W / 35W series

**RATINGS AND CHARACTERISTIC CURVES**

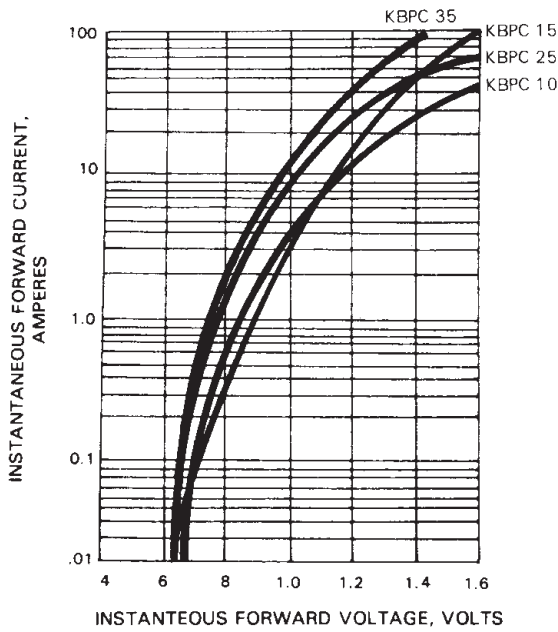
**Fig. 1 — MAXIMUM FORWARD SURGE CURRENT**



**Fig. 2 — DERATING CURVE FOR OUTPUT RECTIFIED CURRENT**



**Fig. 3 — TYPICAL FORWARD CHARACTERISTICS**



**Fig. 4 — TYPICAL REVERSE CHARACTERISTICS**

