

#### - Version constant current for Power LED

- Screw terminals 1.5 mm<sup>2</sup>
- Short circuit protection, overload, open circuit and thermal
- High performance with minimum heat loss and absolute reliability
- Compliance with EN61347-2-13 EN61347-1, EN62384, EN55015, EN61000-3-2, EN61547

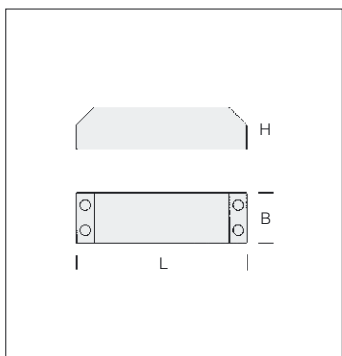
#### \* Indicative values

Power supply series 350mA <sub>Dc</sub> 220-240V 50/60Hz					
Type	Output energy power Max (W)	n°. LED*	weight (Kg)	Size (mm) B - H - L	code
6W/350mA	5,6W	1-4	0,045	32 - 22 - 76	22090832-00
8W/350mA	8,4W	1-6	0,050	38 - 22 - 75	22090894-00
12W/350mA	12W	2-9	0,080	38 - 23 - 125	22090886-00
16,8W/350mA	16,8W	2-12	0,080	38 - 23 - 125	22090837-00
20W/350mA	20W	1-15	0,150	40 - 25 - 165	22090880-00
45W/350mA	3x15W	3x12..14	0,240	60 - 36 - 224	22090899-00

Power supply series 500mA <sub>Dc</sub> 220-240V 50/60Hz					
Type	Output energy power Max (W)	n°. LED*	weight (Kg)	Size (mm) B - H - L	code
6W/500mA	6W	1-3	0,045	32 - 22 - 76	22090883-00
8W/500mA	8W	1-4	0,050	38 - 22 - 75	22090895-00
16,8W/500mA	16,8W	2-9	0,080	38 - 23 - 125	22090890-00
20W/500mA	20W	1-11	0,150	40 - 25 - 165	22090881-00

Power supply series 700mA <sub>Dc</sub> 220-240V 50/60Hz					
Type	Output energy power Max (W)	n°. LED*	weight (Kg)	Size (mm) B - H - L	code
6W/700mA	7,7W	1-3	0,045	32 - 22 - 76	22090884-00
8W/700mA	9,8W	1-3	0,050	38 - 22 - 75	22090896-00
9W/700mA	9W	1	0,050	38 - 22 - 75	22090835-00
16,8W/700mA	16,8W	1-6	0,080	38 - 23 - 125	22090891-00
20W/700mA	20W	1-8	0,150	40 - 25 - 165	22090882-00

Power supply series 1A <sub>Dc</sub> 220-240V 50/60Hz					
Type	Output energy power Max (W)	n°. LED*	weight (Kg)	Size (mm) B - H - L	code
20W/1A	20W	1-6	0,150	40 - 25 - 165	22090898-00



#### - Version constant current for Power LED

- Screw terminals 1.5 mm<sup>2</sup>
- Short circuit protection, overload, open circuit and thermal
- High performance with minimum heat loss and absolute reliability
- Compliance with EN61347-2-13 EN61347-1, EN62384, EN55015, EN61000-3-2, EN61547

Power supply series 12V <sub>Dc</sub> 220-240V 50/60Hz					
Type	Output energy power Max (W)	n°. LED*	weight (Kg)	Size (mm) B - H - L	code
6W/12V	6W	-	0,045	32 - 22 - 76	22090885-00
8W/12V	8,4W	-	0,050	38 - 22 - 75	22090897-00
16,8W/12V	16,8W	-	0,080	38 - 23 - 125	22090892-00
20W/12V	20W	-	0,150	40 - 25 - 165	22090838-00

Power supply series 24V <sub>Dc</sub> 220-240V 50/60Hz					
Type	Output energy power Max (W)	n°. LED*	weight (Kg)	Size (mm) B - H - L	code
16,8W/24V	16,8W	-	0,080	38 - 23 - 125	22090893-00
20W/24V	20W	-	0,150	55 - 19 - 145	22090839-00
70W/24V	70W	-	-	60 - 35 - 225	22092022-00