



## technical data sheet

Product code :	2020031, 2020032, 2020034, 2020035
Description :	<b>19" WALL MOUNTED CABINETS: "450 C" SERIES</b> <b>W=600 mm D=450 mm</b>

The "450C" cabinet series is designed for the containment of the main equipment for structured cabling, LAN networks. The new solution, with an original design allows the integration of a wide range of accessories needed in the most advanced hi-tech environments. The offer is composed of different solutions:

CODE	DESCRIPTION	DIMENSIONS (mm)			BEAR
		W	D	H	Kg
2020031	Cabinet 19" 600x450x6U	600	450	400	60
2020032	Cabinet 19" 600x450x9U	600	450	500	60
2020034	Cabinet 19" 600x450x12U	600	450	650	60
2020035	Cabinet 19" 600x450x15U	600	450	790	60



### GENERAL FEATURES

- Front safety glass door with lock and keys
- Ventilation slots for air outlet on top and bottom, suitable for the installation of ventilation fans on top
- Top and bottom cables inlet
- Two uprights adjustable in depth to install 19" standard equipment
- Removable blind side panels
- Equipped for grounding
- Wall installation facilitated by removable flange
- Painting: Gray RAL 7035

Packaging: cardboard and transparent film

QUBIX S.p.A. Networking solutions – Via Canada, 22/A – 35127 Padova – Italy  
Tel. +39 049 7801994 – Fax +39 049 775667 – <http://www.qubix.it>

Rev. 05-16

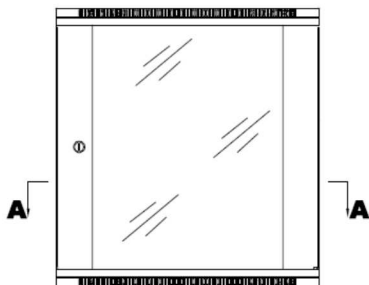
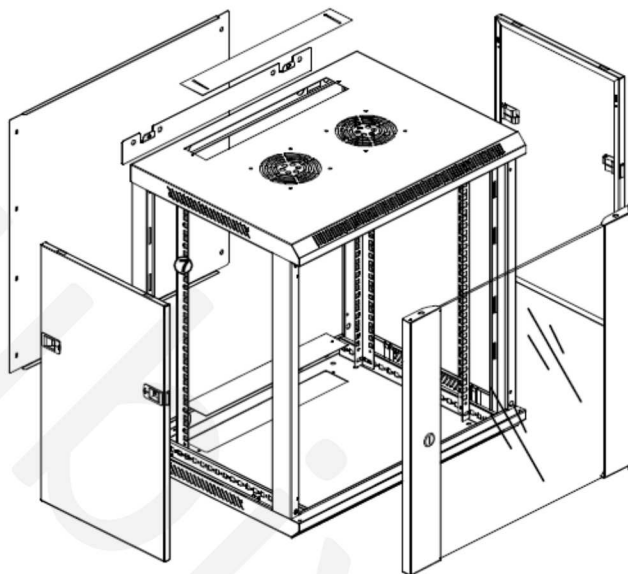
Qubix S.p.A. si riserva di apportare modifiche e migliorie in qualsiasi momento senza preavviso  
Qubix S.p.A. reserves the right to make changes and improvements at any time without notice



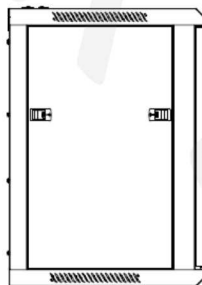
## technical data sheet

Product code :	2020031, 2020032, 2020034, 2020035
Description :	<b>19" WALL MOUNTED CABINETS: "450 C" SERIES</b> <b>W=600 mm D=450 mm</b>

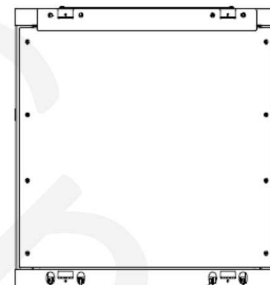
### TECHNICAL DRAWINGS



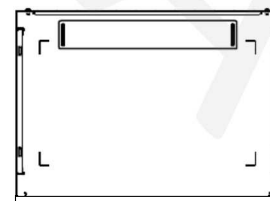
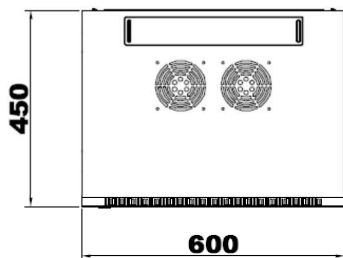
**front door**



**side**



**back**



**A-A Section**

Values are in mm

QUBIX S.p.A. Networking solutions – Via Canada, 22/A – 35127 Padova – Italy  
Tel. +39 049 7801994 – Fax +39 049 775667 – <http://www.qubix.it>

Rev. 05-16

Qubix S.p.A. si riserva di apportare modifiche e migliorie in qualsiasi momento senza preavviso  
Qubix S.p.A. reserves the right to make changes and improvements at any time without notice