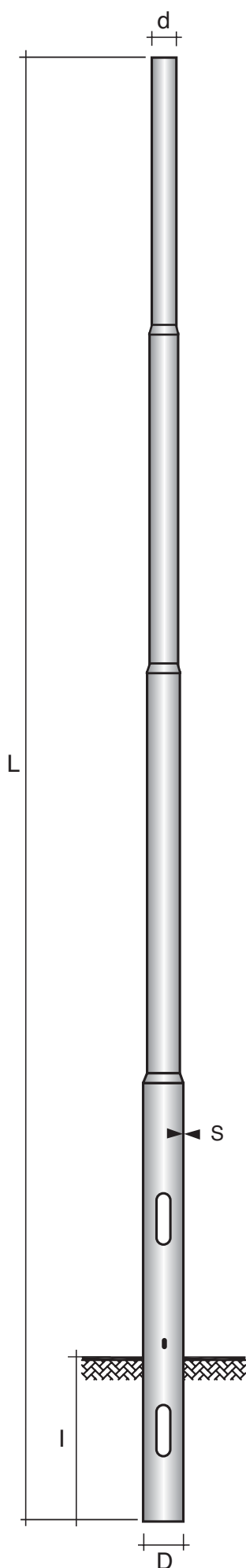


PALI PER ILLUMINAZIONE RASTREMATI

PALO RASTREMATO SALDATO DIRITTO

in acciaio S235 JRH (Fe 360b) UNI EN 10219, zincato a caldo secondo UNI EN ISO 1461; lavorazioni standard alla base (pag. 9)



| articolo | L mm | l mm | s mm | D mm | d mm | vern. m ² | portella articolo | peso kg | conf. pz |
|-------------|---------|---------|---------|---------|---------|-------------------------|----------------------|------------|-------------|
| 4303 | 3.000 | 500 | 3 | 76 | 60 | 0,66 | 4300/1 | 15,0 | 1 |
| 4353 | 3.500 | 500 | 3 | 76 | 60 | 0,76 | 4300/1 | 17,5 | 1 |
| 4403 | 4.000 | 500 | 3 | 76 | 60 | 0,88 | 4300/1 | 20,0 | 1 |
| 4453 | 4.500 | 500 | 3 | 76 | 60 | 0,96 | 4300/1 | 22,5 | 1 |
| 4503 | 5.000 | 500 | 3 | 89 | 60 | 1,20 | 4300/1 | 27,0 | 1 |
| 4553 | 5.500 | 500 | 3 | 102 | 60 | 1,45 | 4300/1 | 35,0 | 1 |
| 4603 | 6.000 | 600 | 3 | 102 | 60 | 1,67 | 4300/1 | 38,0 | 1 |
| 4704 | 6.800 | 800 | 3 | 114 | 60x200 | 2,02 | 4301/2 | 50,0 | 1 |
| 4703 | 6.800 | 800 | 3 | 127 | 60x200 | 2,29 | 4301/2 | 56,0 | 1 |
| 4703/139 | 6.800 | 800 | 3 | 139 | 60x200 | 2,43 | 4301/2 | 60,0 | 1 |
| 4703/4 | 6.800 | 800 | 4/3 | 127 | 60x200 | 2,29 | 4301/2 | 65,0 | 1 |
| 4703/4-152 | 6.800 | 800 | 4/3 | 152 | 60x200 | 2,69 | 4301/2 | 85,0 | 1 |
| 4703/4-168 | 6.800 | 800 | 4/3 | 168 | 60x200 | 2,94 | 4301/2 | 90,0 | 1 |
| 4803 | 7.800 | 800 | 3 | 127 | 60x200 | 2,63 | 4301/2 | 63,0 | 1 |
| 4803/139 | 7.800 | 800 | 3 | 139 | 60x200 | 2,70 | 4301/2 | 68,0 | 1 |
| 4803/4 | 7.800 | 800 | 4/3 | 127 | 60x200 | 2,60 | 4301/2 | 72,0 | 1 |
| 4803/4-152 | 7.800 | 800 | 4/3 | 152 | 60x200 | 3,06 | 4301/2 | 91,0 | 1 |
| 4803/4-168 | 7.800 | 800 | 4/3 | 168 | 60x200 | 3,29 | 4301/2 | 98,0 | 1 |
| 4803/4-193 | 7.800 | 800 | 4/3 | 193 | 60x200 | 3,72 | 4301/3 | 111,0 | 1 |
| 4903 | 8.800 | 800 | 3 | 127 | 60x200 | 2,95 | 4301/2 | 65,0 | 1 |
| 4903/139 | 8.800 | 800 | 3 | 139 | 60x200 | 3,06 | 4301/2 | 69,0 | 1 |
| 4903/4 | 8.800 | 800 | 4/3 | 127 | 60x200 | 2,95 | 4301/2 | 78,0 | 1 |
| 4903/4-152 | 8.800 | 800 | 4/3 | 152 | 60x200 | 3,33 | 4301/2 | 98,0 | 1 |
| 4903/4-168 | 8.800 | 800 | 4/3 | 168 | 60x200 | 3,71 | 4301/2 | 105,0 | 1 |
| 4903/4-193 | 8.800 | 800 | 4/3 | 193 | 60x200 | 4,26 | 4301/3 | 124,0 | 1 |
| 4103 | 9.800 | 800 | 3 | 139 | 60x200 | 3,46 | 4301/2 | 78,0 | 1 |
| 4103/4 | 9.800 | 800 | 4/3 | 139 | 60x200 | 3,46 | 4301/2 | 88,0 | 1 |
| 4103/4-152 | 9.800 | 800 | 4/3 | 152 | 60x200 | 3,85 | 4301/2 | 110,0 | 1 |
| 4103/4-168 | 9.800 | 800 | 4/3 | 168 | 60x200 | 4,00 | 4301/2 | 119,0 | 1 |
| 4103/4-193 | 9.800 | 800 | 4/3 | 193 | 60x200 | 4,78 | 4301/3 | 132,0 | 1 |
| 41103 | 10.800 | 800 | 3 | 139 | 60x200 | 3,65 | 4301/2 | 84,0 | 1 |
| 41103/4 | 10.800 | 800 | 4/3 | 139 | 60x200 | 3,65 | 4301/2 | 94,0 | 1 |
| 41103/4-152 | 10.800 | 800 | 4/3 | 152 | 60x200 | 3,94 | 4301/2 | 115,0 | 1 |
| 41103/4-168 | 10.800 | 800 | 4/3 | 168 | 60x200 | 4,10 | 4301/2 | 127,0 | 1 |
| 41103/4-193 | 10.800 | 800 | 4/3 | 193 | 60x200 | 5,31 | 4301/3 | 149,0 | 1 |
| 41203/4 | 11.800 | 800 | 4/3 | 152 | 60x200 | 4,33 | 4301/2 | 121,0 | 1 |
| 41203/4-168 | 11.800 | 800 | 4/3 | 168 | 60x200 | 4,65 | 4301/2 | 133,0 | 1 |
| 41203/4-193 | 11.800 | 800 | 4/3 | 193 | 60x200 | 5,75 | 4301/3 | 149,0 | 1 |

A RICHIESTA POSSONO ESSERE PRODOTTI PALI CON LUNGHEZZE E DIAMETRI DIVERSI DA QUELLI INDICATI