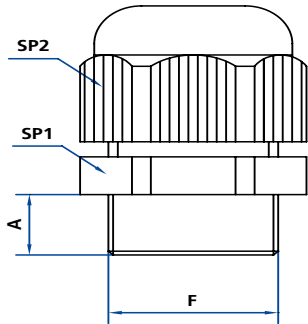


PTE

Pressacavi economici in POLIAMMIDE  
POLYAMIDE cable glands - economic line



Applicazione  
Application



Pressacavi economici in POLIAMMIDE completi di CONTRODADO.

Sono caratterizzati da un'eccezionale versatilità di impiego, che ne consente l'utilizzo in diversi settori che spaziano dagli impianti civili e industriali, alla robotica, alle centrali elettriche e nucleari, alle macchine utensili, ecc.

Economic line cable glands including LOCKNUT made of POLYAMIDE.

They are suitable for use in an exceptionally wide range of areas, from civil and industrial plants, to robotics, electric and nuclear power stations, machine tools etc.

Materiale  
Material

Poliammide.

Polyamide.

Caratteristiche prodotto  
Product characteristics

Grado di protezione IP 68.  
Temperatura di esercizio: -40°C +135°C.

IP Rating: IP 68.  
Temperature range: -40°C +135°C.

Colori  
Colors

Colori standard: Grigio RAL 7001 (PTE), Grigio RAL 7035 (PTE..G), Nero (PTE..N)

Standard colours: Grey RAL 7001 (PTE), Grey RAL 7035 (PTE..G), Black (PTE..N)



PTE - Pressacavo completo di controado

Codice PG GRIGIO RAL 7001	Codice PG GRIGIO RAL 7035	Codice PG NERO	F Filetto PG	A mm	Ø cavo mm min. max.	SP1 mm	SP2 mm	Codice ISO GRIGIO RAL 7001	Codice ISO GRIGIO RAL 7035	Codice ISO NERO	F Filetto ISO	A mm	Ø cavo mm min. max.	SP1 mm	SP2 mm	Confezione standard
PTE07	PTE07G	PTE07N	7	8	4 - 6,5	16	16	PTEM12	PTEM12G	PTEM12N	M12X1,5	8	4,5 - 6,5	14	15	50
PTE09	PTE09G	PTE09N	9	8	5 - 8,0	19	19	PTEM16	PTEM16G	PTEM16N	M16X1,5	8	6,0 - 8,0	18	19	50
PTE11	PTE11G	PTE11N	11	8	5 - 9,0	22	22									50
PTE13	PTE13G	PTE13N	13,5	9	8 - 12,0	24	24	PTEM20	PTEM20G	PTEM20N	M20X1,5	9	8,0 - 12,0	24	24	50
PTE16	PTE16G	PTE16N	16	10	10 - 14,0	26	26	PTEM25	PTEM25G	PTEM25N	M25X1,5	10,5	10,0 - 13,0	27	27	50
PTE21	PTE21G	PTE21N	21	10	12 - 16,0	33	33									10
PTE29	PTE29G	PTE29N	29	11	18 - 25,0	41	41	PTEM32	PTEM32G	PTEM32N	M32X1,5	12,5	18,0 - 22,0	37	37	10
PTE36	PTE36G	PTE36N	36	14,5	28 - 32,0	51	53	PTEM40	PTEM40G	PTEM40N	M40X1,5	17,5	21,0 - 25,0	45	45	5
PTE42	PTE42G	PTE42N	42	15	34 - 40,0	60	62	PTEM50	PTEM50G	PTEM50N	M50X1,5	18	28,0 - 35,0	56	56	5
PTE48	PTE48G	PTE48N	48	15	34 - 42,0	62	65	PTEM63	PTEM63G	PTEM63N	M63X1,5	20	40,0 - 43,5	68	67	5
REF. Part N. PG GREY RAL 7001	REF. Part N. PG GREY RAL 7035	REF. Part N. PG BLACK	F PG thread	A mm	Cable Ø mm min. max.	SP1 mm	SP2 mm	REF. Part N. ISO GREY RAL 7001	REF. Part N. ISO GREY RAL 7035	REF. Part N. ISO BLACK	F ISO thread	A mm	Cable Ø mm min. max.	SP1 mm	SP2 mm	Packing unit

PTE - Cable glands equipped with locknut